

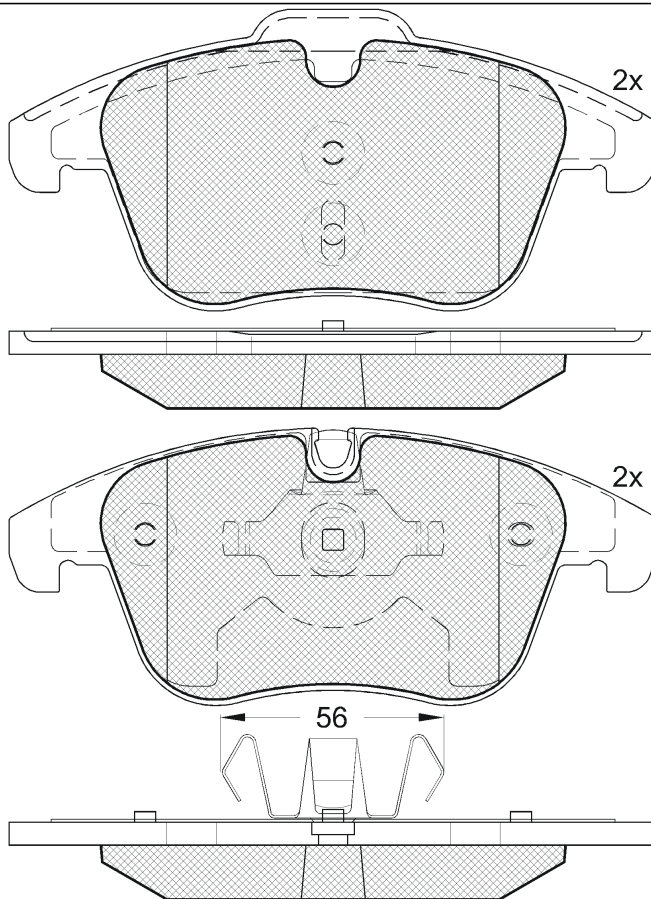
# LISTA DE APLICACIONES - BUYERS GUIDE

## 181886



Qty: 300

Peso: 2.088



## 181886

**E 9** 90R-01111/2502



Ate - Teves

155.2x66.44x19.2

155.2x72.27x18.2

**WVA**

24084

24332

**MAKE**

CITROËN

PEUGEOT

O.E.M.	MAKE
4254.03	CITROËN
4254.24	CITROËN
16 101 037 80	PEUGEOT



Trac.	CC	Kw	CV
-------	----	----	----



Front / Rear

### CITROËN

C5 II (TD_) 02.08-						Estate (Large family car-D Segment)			
1.6 VTi 120 (5FS (EP6C))	Petrol	FWD	1598	88	120	07.10-	*		
1.6 THP 155 (5FV (EP6DT))	Petrol	FWD	1598	115	156	04.09-	*		
1.8 16V (6FY (EW7A))	Petrol	FWD	1749	92	125	02.08-	*		
2.0 16V (RFJ (EW10A))	Petrol	FWD	1997	103	140	02.08-	*		
2.0 16V BioFlex (RFJ (EW10A))	Petrol	FWD	1997	103	140	02.08-	*		
1.6 HDi (9HZ (DV6TED4))	Diesel	FWD	1560	80	109	02.08-	*		
1.6 HDi 110 (9HR (DV6C))	Diesel	FWD	1560	82	112	07.10-	*		
2.0 Hdi (RHR (DW10BTED4))	Diesel	FWD	1997	100	136	02.08-	*		
2.0 HDi 140 (RHF (DW10BTED4))	Diesel	FWD	1997	103	140	04.09-	*		
2.0 HDi 165 (RHH (DW10CTED4))	Diesel	FWD	1997	120	163	04.09-	*		
C5 II (RD_) 02.08-						Sedán (Large family car-D Segment)			
1.6 VTi 120 (5FS (EP6C))	Petrol	FWD	1598	88	120	07.10-	*		
1.6 THP 155 (5FV (EP6CDT))	Petrol	FWD	1598	115	156	04.09-	*		
1.8 16V (6FY (EW7A))	Petrol	FWD	1749	92	125	02.08-	*		
2.0 16V (RFJ (EW10A))	Petrol	FWD	1997	103	140	02.08-	*		
2.0 16V BioFlex (RFJ (EW10A))	Petrol	FWD	1997	103	140	02.08-	*		

# LISTA DE APLICACIONES - BUYERS GUIDE

1.6 HDi (9HZ (DV6TED4))		Diesel	FWD	1560	80	109	02.08-	*
1.6 HDi 110 (9HR (DV6C))		Diesel	FWD	1560	82	112	07.10-	*
2.0 Hdi (RHF (DW10BTED4))		Diesel	FWD	1997	100	136	02.08-	*
2.0 Hdi (RHR (DW10BTED4))		Diesel	FWD	1997	100	136	02.08-	*
2.0 HDi 140 (RHF (DW10BTED4))		Diesel	FWD	1997	103	140	04.09-	*
2.0 HDi 165 (RHH (DW10CTED4))		Diesel	FWD	1997	120	163	04.09-	*
<b>PEUGEOT</b>								
<b>508 11.10-</b>						<b>Sedán (Large family car-D Segment)</b>		
1.6 VTi (5FH (EP6C))	discØ 304	Petrol	FWD	1598	85	116	11.10-	*
1.6 VTi (5FS (EP6C))	discØ 304	Petrol	FWD	1598	88	120	11.10-	*
1.6 THP (5FN (EP6CDT))	discØ 304	Petrol	FWD	1598	110	150	11.10-	*
1.6 THP (EP6CDT)	discØ 304	Petrol	FWD	1598	115	156	11.10-	*
1.6 (5GZ (EP6FDT))	discØ 304	Petrol	FWD	1598	120	163	01.12-	*
2.0 HDi RXH Hybrid4	discØ 304	Hybrid	4WD	1997	147	163	11.10-	*
1.6 HDi (9HR (DV6C))	discØ 304	Diesel	FWD	1560	82	112	11.10-	*
1.6 HDi (9HD (DV6CTED))	discØ 304	Diesel	FWD	1560	84	115	02.12-	*
1.6 BlueHdi 120 (BHZ (DV6FC))	discØ 304	Diesel	FWD	1560	88	120	03.14-	*
2.0 Hdi (RHR (DW10BTED4))	discØ 304	Diesel	FWD	1997	100	136	11.10-	*
2.0 Hdi (RHF (DW10BTED4))	discØ 304	Diesel	FWD	1997	103	140	11.10-	*
2.0 HDi 150 (AHX (DW10FD))	discØ 304	Diesel	FWD	1997	110	150	04.14-	*
2.0 Hdi (RHH (DW10CTED4))	discØ 304	Diesel	FWD	1997	120	163	11.10-	*
2.0 Hdi (RHC (DW10CTED4))	discØ 304	Diesel	4WD	1997	120	163	11.10-	*
2.0 BlueHdi 180 (AHW (DW10FC))	discØ 304	Diesel	FWD	1997	133	180	04.14-	*
2.2 HDi (4HL (DW12C))	discØ 304	Diesel	FWD	2179	150	204	11.10-	*
<b>508 SW 11.10-</b>						<b>Estate (Large family car-D Segment)</b>		
1.6 VTi (5FH (EP6C))	discØ 304	Petrol	FWD	1598	85	116	11.10-	*
1.6 VTi (5FS (EP6C))	discØ 304	Petrol	FWD	1598	88	120	11.10-	*
1.6 THP (5FX (EP6DT))	discØ 304	Petrol	FWD	1598	110	150	11.10-	*
1.6 THP (EP6CDT)	discØ 304	Petrol	FWD	1598	115	156	11.10-	*
1.6	discØ 304	Petrol	FWD	1598	121	165	02.12-	*
2.0 HDi 180 RXH	discØ 304	Hybrid	FWD	1997	133	181	10.14-	*
2.0 HDi RXH Hybrid4 (RHC (DW10CTED4))	discØ 304	Hybrid	4WD	1997	147	200	12.11-	*
1.6 HDi (9HR (DV6C))	discØ 304	Diesel	FWD	1560	82	112	11.10-	*
1.6 HDi (9HD (DV6CTED))	discØ 304	Diesel	FWD	1560	84	115	02.12-	*
1.6 BlueHdi 120 (BHZ (DV6FC))	discØ 304	Diesel	FWD	1560	88	120	03.14-	*
2.0 Hdi (RHR (DW10BTED4))	discØ 304	Diesel	FWD	1997	100	136	11.10-	*

## LISTA DE APLICACIONES - BUYERS GUIDE

2.0 Hdi (RHF (DW10BTED4))	discØ 304	Diesel	FWD	1997	103	140	11.10-	*
2.0 HDi 150 (AHX (DW10FD))	discØ 304	Diesel	FWD	1997	110	150	04.14-	*
2.0 Hdi (RHH (DW10CTED4))	discØ 304	Diesel	FWD	1997	120	163	11.10-	*
2.0 HDi Hybrid4 (RHC (DW10CTED4))	discØ 304	Diesel	4WD	1997	120	163	11.10-	*
2.0 BlueHDi 180 (AHW (DW10FC))	discØ 304	Diesel	FWD	1997	133	180	04.14-	*
2.2 HDi (4HL (DW12C))	discØ 304	Diesel	FWD	2179	150	204	11.10-	*