

LISTA DE APLICACIONES - BUYERS GUIDE

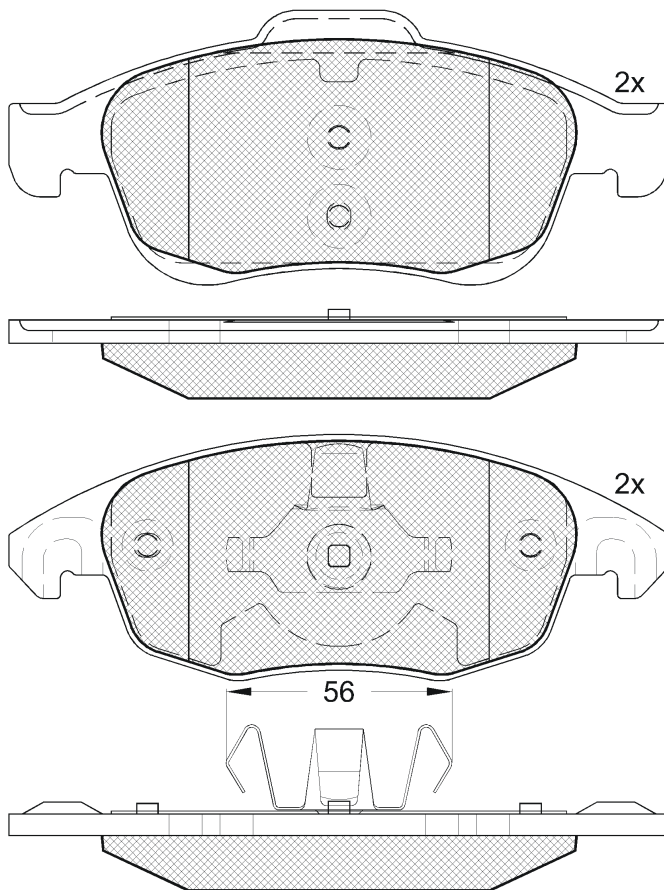
181852



Qty: 300

Peso: 1.738

O.E.M.	MAKE
4253.61	CITROËN
4254.13	CITROËN
4254.C0	CITROËN
4254.12	PEUGEOT
4254.25	PEUGEOT



181852

E 9 90R-01111/1676



Ate - Teves

155.2x57.89x18.6

155.2x64.57x19.1

WVA	FMSI
24538	D1717-8942
24539	

MAKE

CITROËN
PEUGEOT



Trac.	CC	Kw	CV
-------	----	----	----



Front / Rear

CITROËN

BERLINGO II (B9) 04.08-

Furgón (Compact car-C Segment)

Model	Trac.	CC	Kw	CV	Year	Star
1.6 (NFR (TU5JP4B))	FWD	1587	66	90	04.08-	*
1.6 (NFU (TU5JP4))	FWD	1587	80	109	04.08-	*
1.6 VTi 95 (5FK (EP6CB))	FWD	1598	72	98	07.10-	*
1.6 VTi 120 (5FS (EP6C))	FWD	1598	88	120	11.09-	*
ELECTRIC (Y4F1)	FWD		35	48	01.13-	*
ELECTRIC	FWD		42	57	09.11-	*
ELECTRIC (Y4F1)	FWD		49	67	03.14-	*
1.6 BlueHDi 75 (9HN (DV6ETED))	FWD	1560	55	75	04.15-	*
1.6 BlueHDi 75 (BHW (DV6FE))	FWD	1560	55	75	04.15-	*
1.6 HDi 75 (9HT (DV6BUTED4))	FWD	1560	55	75	04.08-	*
1.6 HDi 90 (9HX (DV6ATED4))	FWD	1560	66	90	04.08-	*
1.6 HDi 90 (9HP (DV6DTED))	FWD	1560	68	92	07.10-	*
1.6 BlueHDi 100 (BHY (DV6FD))	FWD	1560	73	99	12.14-	*
1.6 HDi 110 (9HZ (DV6TED4))	FWD	1560	80	109	04.08-	*
1.6 HDi 110 (9HR (DV6C))	FWD	1560	82	112	07.10-	*
1.6 HDi 115 (9HL (DV6C))	FWD	1560	84	114	07.10-	*

LISTA DE APLICACIONES - BUYERS GUIDE

1.6 BlueHDi 120 (BHZ (DV6FC))		Diesel	FWD	1560	88	120	12.14-	*
BERLINGO II (B9) 04.08-					MPV (MPV-M1 Segment)			
1.4 (KFW (TU3JP))		Petrol	FWD	1360	55	75	03.09-	*
1.6 (NFR (TU5JP4B))		Petrol	FWD	1587	66	90	04.08-	*
1.6 (NFU (TU5JP4))		Petrol	FWD	1587	80	109	04.08-	*
1.6 VTi 95 (5FK (EP6CB))		Petrol	FWD	1598	72	98	07.10-	*
1.6 VTi 120 (5FS (EP6C))		Petrol	FWD	1598	88	120	11.09-	*
1.6 BlueHDi 75 (9HN (DV6ETED))		Diesel	FWD	1560	55	75	04.15-	*
1.6 BlueHDi 75 (BHW (DV6FE))		Diesel	FWD	1560	55	75	04.15-	*
1.6 HDi 75 (9HT (DV6BTED4))		Diesel	FWD	1560	55	75	04.08-	*
1.6 HDi 90 (9HX (DV6ATED4))		Diesel	FWD	1560	66	90	04.08-	*
1.6 HDi 90 (9HX (DV6ATED4))		Diesel	FWD	1560	68	92	07.10-	*
1.6 BlueHDi 100 (BHY (DV6FD))		Diesel	FWD	1560	73	99	12.14-	*
1.6 HDi 110 (9HZ (DV6TED4))		Diesel	FWD	1560	80	109	04.08-	*
1.6 HDi 110 (9HR (DV6C))		Diesel	FWD	1560	82	112	07.10-	*
1.6 HDi 115 (9HR (DV6C))		Diesel	FWD	1560	84	114	07.10-	*
1.6 BlueHDi 120 (BHZ (DV6FC))		Diesel	FWD	1560	88	120	12.14-	*
C4 II (B7) 11.09-					Fastback (Compact car-C Segment)			
1.6 Flex (NFX (TU5JP4))		Petrol	FWD	1587	81	110	11.09-	*
1.6 VTi 120 (5FS (EP6C))		Petrol	FWD	1598	88	120	11.09-	*
1.6 VTi 120 LPG (5FS (EP6C))		Petrol	FWD	1598	88	120	09.11-	*
1.6 HDi 90 (9HP (DV6DTED))	electric handbrake	Diesel	FWD	1560	68	92	11.09-	*
1.6 HDi 110 (9HR (DV6C))		Diesel	FWD	1560	82	112	11.09-	*
1.6 HDi 115 (9HR (DV6C))		Diesel	FWD	1560	84	114	07.12-	*
C4 Grand Picasso (UA_) 10.06-					MPV (Large MPV-M1 Segment)			
1.6 VTi 120 (5FW (EP6))		Petrol	FWD	1598	88	120	07.08-	*
1.8 i 16V (6FY (EW7A))	01/07-	Petrol	FWD	1749	92	125	10.06-	*
1.6 HDi 110 (9HL (DV6C))		Hybrid	FWD	1560	82	112	09.10-	*
1.6 HDi (9HY (DV6TED4))	01/07-	Diesel	FWD	1560	80	109	10.06-	*
1.6 HDi (9HZ (DV6TED4))	01/07-	Diesel	FWD	1560	80	109	10.06-	*
1.6 HDi 110 (9HL (DV6C))		Diesel	FWD	1560	82	112	09.10-	*
1.6 HDi 110 (9HR (DV6C))		Diesel	FWD	1560	82	112	09.10-	*
C4 Picasso (UD_) 02.07-					MPV (Compact MPV-M1 Segment)			
1.6 VTi 120 (5FW (EP6))		Petrol	FWD	1598	88	120	07.08-08.13	*
1.8 Bifule (6FY (EW7A))		Petrol	FWD	1749	92	125	01.09-10.12	*
1.8 i 16V (6FY (EW7A))		Petrol	FWD	1749	92	125	02.07-12.11	*

LISTA DE APLICACIONES - BUYERS GUIDE

1.6 HDi 110 (9HL (DV6C))		Hybrid	FWD	1560	82	112	09.10-	*	
1.6 HDi (9HY (DV6TED4))		Diesel	FWD	1560	80	109	02.07-08.13	*	
1.6 HDi (9HZ (DV6TED4))		Diesel	FWD	1560	80	109	02.07-08.13	*	
1.6 HDi 110 (9HR (DV6C))		Diesel	FWD	1560	82	112	09.10-08.13	*	
DS4 04.11-					Fastback (Compact car-C Segment)				
1.6 VTi 120 (5FS (EP6C))		Petrol	FWD	1598	88	120	04.11-	*	
1.6 e-HDi 110		Hybrid	FWD	1560	81	110	04.11-	*	
1.6 HDi 90 (9HP (DV6DTE))	electric handbrake	Diesel	FWD	1560	68	92	05.11-	*	
1.6 HDi 110 (9HR (DV6C))		Diesel	FWD	1560	82	112	04.11-	*	
1.6 HDi 115 (9HL (DV6C))		Diesel	FWD	1560	84	114	08.12-	*	
DS5 11.11-					Fastback (Compact executive car-D Segment)				
1.6 HDi (BHX (DV6FC))	discØ 283	Diesel	FWD	1560	85	115	11.13-	*	
PEUGEOT									
5008 06.09-					MPV (Compact MPV-M1 Segment)				
1.6 16V (5FS (EP6C))		Petrol	FWD	1598	88	120	09.09-	*	
1.6 16V (EP6)		Petrol	FWD	1598	88	120	09.09-	*	
1.6 HDi (9HZ (DV6TED4))		Diesel	FWD	1560	80	110	09.09-	*	
1.6 HDi (9HR (DV6C))		Diesel	FWD	1560	82	112	08.10-	*	
1.6 HDi (9HD (DV6CTED))		Diesel	FWD	1560	84	114	03.13-	*	
PARTNER II 01.09-					Caja/Chasis (LCVs-N1 Segment)				
1.6 HDi (9HT (DV6BTED4))		Diesel	FWD	1560	55	75	01.09-	*	
1.6 HDi (9HX (DV6ATED4))		Diesel	FWD	1560	66	90	01.09-	*	
PARTNER II / GRAND RAID / RANCH 04.08-					Furgón (LCVs-N1 Segment)				
1.4 i	01/08-	Petrol		1395	55	75	04.08-	*	
1.6 (NFR (TU5JP4B))		Petrol	FWD	1587	66	90	04.08-	*	
1.6 (NFU (TU5JP4))		Petrol	FWD	1587	80	109	04.08-	*	
1.6 (5FK (EP6CB))		Petrol	FWD	1598	72	98	11.10-	*	
1.6 (5FS (EP6C))		Petrol	FWD	1598	88	120	04.10-	*	
1.6 HDi (9HT (DV6BTED4))		Diesel	FWD	1560	55	75	04.08-	*	
1.6 HDi (9HX (DV6ATED4))		Diesel	FWD	1560	66	90	04.08-	*	
1.6 HDi 90 (9HP (DV6DTE))		Diesel	FWD	1560	68	92	04.10-	*	
1.6 HDi (9HZ (DV6TED4))		Diesel	FWD	1560	80	109	04.08-	*	
1.6 HDi		Diesel	FWD	1560	82	112	08.10-	*	
1.6 HDi (9HL (DV6C))		Diesel	FWD	1560	84	114	03.13-	*	
PARTNER II Tepee / GRAND RAID / RANCH 04.08-					MPV (Compact MPV-M1 Segment)				
1.6 (NFR (TU5JP4B))		Petrol	FWD	1587	66	90	04.08-	*	

LISTA DE APLICACIONES - BUYERS GUIDE

1.6 (NFU (TU5JP4))	Petrol	FWD	1587	80	109	04.08-	*
1.6 (5FK (EP6CB))	Petrol	FWD	1598	72	98	08.10-	*
1.6 (5FS (EP6C))	Petrol	FWD	1598	88	120	04.10-	*
1.6 HDi (9HT (DV6BTED4))	Diesel	FWD	1560	55	75	04.08-	*
1.6 HDi (9HV (DV6TED4))	Diesel	FWD	1560	66	90	04.08-	*
1.6 HDi (9HX (DV6ATED4))	Diesel	FWD	1560	66	90	04.08-	*
1.6 HDi 90 (9HP (DV6DTED))	Diesel	FWD	1560	68	92	04.10-	*
1.6 HDi (9HZ (DV6TED4))	Diesel	FWD	1560	80	109	04.08-	*
1.6 HDi (9HL (DV6C))	Diesel	FWD	1560	82	112	08.10-	*
1.6 HDi (9HL (DV6C))	Diesel	FWD	1560	84	114	03.13-	*