

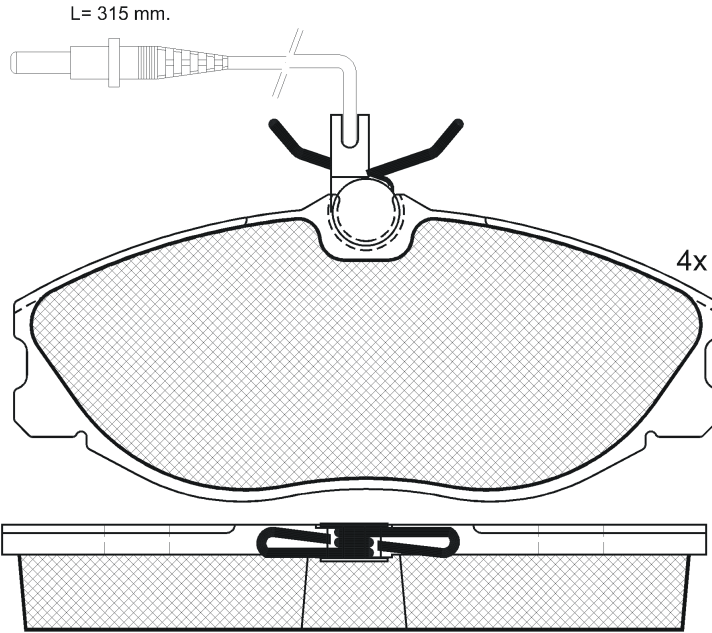
LISTA DE APLICACIONES - BUYERS GUIDE

181108-700

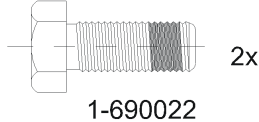


Qty: 300 Peso: 1.665

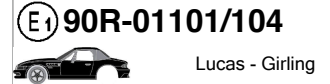
O.E.M.	MAKE
4251.43	CITROËN
4251.32	PEUGEOT
4251.44	PEUGEOT
4251.60	PEUGEOT
4252.06	PEUGEOT



181108-700



181108-700



129.85x56.5x19.3

WVA	FMSI
21672	D1221-8342
21673	
21674	
21886	

MAKE
CITROËN
CITROËN DONG FENG
PEUGEOT



Trac.	CC	Kw	CV	Front / Rear
-------	----	----	----	--------------

CITROËN

						Coupé (Compact car-C Segment)				
XSARA (N0) 02.98-04.05										
2.0 16V (RFN (EW10J4))	-12/01	Petrol	FWD	1997	100	136	09.00-03.05	★		
2.0 (RFV (XU10J4R))		Petrol	FWD	1998	97	132	08.98-08.00	★		
2.0 i 16V (RFS (XU10J4RS))	-12/00	Petrol	FWD	1998	120	163	02.98-03.05	★		
2.0 HDI 109 (RHZ (DW10ATED))	-12/01	Diesel	FWD	1997	80	109	05.01-03.05	★		
XSARA (N2) 10.97-03.10						Estate (Compact car-C Segment)				
2.0 16V (RFN (EW10J4))	-12/01	Petrol	FWD	1997	100	136	09.00-08.05	★		
2.0 HDI 109 (RHZ (DW10ATED))	-12/01	Diesel	FWD	1997	80	109	05.01-08.05	★		
XSARA (N1) 04.97-04.05						Fastback (Compact car-C Segment)				
2.0 16V (RFN (EW10J4))	-12/01	Petrol	FWD	1997	100	136	09.00-03.05	★		
2.0 16V (RFS (XU10J4RS))		Petrol	FWD	1998	120	163	04.97-09.00	★		
2.0 HDI 109 (RHZ (DW10ATED))	-12/01	Diesel	FWD	1997	80	109	05.01-03.05	★		
ZX (N2) 03.91-10.97						Fastback (Compact car-C Segment)				
2.0 i 16V (RFS (XU10J4RS))		Petrol	FWD	1998	120	163	05.96-06.97	★		

CITROËN DONG FENG

						Sedán (Compact MPV-M1 Segment)				
XSARA 05.03-12.05										
2.0		Petrol	FWD	1997	97	130	05.03-12.05	★		

LISTA DE APLICACIONES - BUYERS GUIDE

PEUGEOT

306 (7A, 7C, N3, N5) 01.93-10.03					Fastback (Compact car-C Segment)			
2.0 S16 (RFS (XU10J4RS))		Petrol	FWD	1998	120	163	03.96-05.01	*
406 (8C) 03.97-12.04					Coupé (Large family car-D Segment)			
2.0 16V (RFR (DEW10J4))		Petrol	FWD	1997	99	135	01.99-10.00	*
2.0 16V (RFN (EW10J4))		Petrol	FWD	1997	100	136	10.00-12.04	*
2.0 16V (RFV (XU10J4R))		Petrol	FWD	1998	97	132	03.97-12.04	*
2.2 (3FZ (EW12J4))		Petrol	FWD	2230	116	158	03.02-12.04	*
406 (8E/F) 10.96-10.04					Estate (Large family car-D Segment)			
2.0 16V (RFR (DEW10J4))		Petrol	FWD	1997	99	135	01.99-10.00	*
2.0 16V (RFN (EW10J4))	-12/03	Petrol	FWD	1997	100	136	10.00-10.04	*
2.0 16V HPi (RLZ (EW10D))	-12/03	Petrol	FWD	1997	103	140	05.01-10.04	*
2.0 16V (RFV (XU10J4R))	-12/03	Petrol	FWD	1998	97	132	10.96-10.04	*
2.0 (RGY (XU10J2TE))		Petrol	FWD	1998	104	141	11.96-03.99	*
2.0 Turbo (RGX (XU10J2TE))	01/97-	Petrol	FWD	1998	108	147	10.96-10.04	*
2.2 (3FZ (EW12J4))	-12/03	Petrol	FWD	2230	116	158	07.00-10.04	*
3.0 24V (XFZ (ES9J4))	-12/03	Petrol	FWD	2946	140	190	10.96-10.04	*
3.0 V6 (XFX (ES9J4S))	-12/03	Petrol	FWD	2946	152	207	03.00-10.04	*
1.9 TD (DHX (XUD9TE))	-12/99	Diesel	FWD	1905	66	90	10.96-10.04	*
2.0 HDi 90 (RHY (DW10TD))		Diesel	FWD	1997	66	90	02.99-10.04	*
2.0 HDi 110 (RHS (DW10ATED))	-12/03	Diesel	FWD	1997	79	107	08.01-10.04	*
2.0 HDi 110 (RHZ (DW10ATED))	-12/03	Diesel	FWD	1997	79	107	08.01-10.04	*
2.0 HDi 110 (RHZ (DW10ATED))		Diesel	FWD	1997	80	109	02.99-04.04	*
2.1 TD 12V (P8C (XUD11BTE))	-12/99	Diesel	FWD	2088	80	109	10.96-10.04	*
2.2 HDi (4HX (DW12TED4/FAP))	-12/03	Diesel	FWD	2179	98	133	03.00-10.04	*
406 (8B) 10.95-01.05					Sedán (Large family car-D Segment)			
2.0 16V (RFR (DEW10J4))		Petrol	FWD	1997	99	135	01.99-08.00	*
2.0 16V (RFN (EW10J4))	-12/03	Petrol	FWD	1997	100	136	08.00-06.04	*
2.0 16V (RFV (XU10J4R))	-12/03	Petrol	FWD	1998	97	132	11.95-05.04	*
2.0 (RGY (XU10J2TE))		Petrol	FWD	1998	104	141	11.96-03.99	*
2.0 Turbo (RGX (XU10J2TE))	01/97-	Petrol	FWD	1998	108	147	04.96-05.04	*
2.2 (3FZ (EW12J4))	-12/03	Petrol	FWD	2230	116	158	07.00-05.04	*
3.0 24V (XFZ (ES9J4))	-12/03	Petrol	FWD	2946	140	190	10.96-05.04	*
3.0 V6 (XFX (ES9J4S))	-12/03	Petrol	FWD	2946	152	207	03.00-05.04	*
1.9 TD (DHX (XUD9TE))	-12/99	Diesel	FWD	1905	66	90	01.96-05.04	*
1.9 TD (DHY (XUD9TE))	-12/99	Diesel	FWD	1905	68	92	01.96-05.04	*

LISTA DE APLICACIONES - BUYERS GUIDE

2.0 HDI 90 (RHY (DW10TD))		Diesel	FWD	1997	66	90	02.99-05.04	*
2.0 HDi 110 (RHZ (DW10ATED))	-12/98	Diesel	FWD	1997	80	109	06.98-08.01	*
2.1 TD 12V (P8C (XUD11BTE))	-12/99	Diesel	FWD	2088	80	109	01.96-05.04	*
2.2 HDi (4HX (DW12TED4/FAP))	-12/03	Diesel	FWD	2179	98	133	03.00-05.04	*
607 (9D, 9U) 01.00-					Sedán (Executive car-E Segment)			
2.0 (RFN (EW10J4))	-12/10	Petrol	FWD	1997	100	136	02.00-	*
2.2 16V (3FZ (EW12J4))	-12/10	Petrol	FWD	2230	116	158	02.00-	*
2.2 16V (3FY (EW12J4))	-12/10	Petrol	FWD	2230	120	163	09.05-	*
2.0 Hdi (RHS (DW10ATED))		Diesel	FWD	1997	79	107	03.01-07.04	*
2.0 Hdi (RHZ (DW10ATED))	-12/10	Diesel	FWD	1997	80	109	05.00-	*
2.0 Hdi (RHR (DW10BTED4))	-12/10	Diesel	FWD	1997	100	136	09.05-	*
2.2 HDi (4HX (DW12TED4/FAP))	-12/10	Diesel	FWD	2179	98	133	02.00-	*
2.2 HDi (4HT (DW12BTED4))	-12/10	Diesel	FWD	2179	125	170	05.06-	*
2.7 HDi 24V (DT17TED4)	-12/10	Diesel	FWD	2721	150	204	12.04-	*