

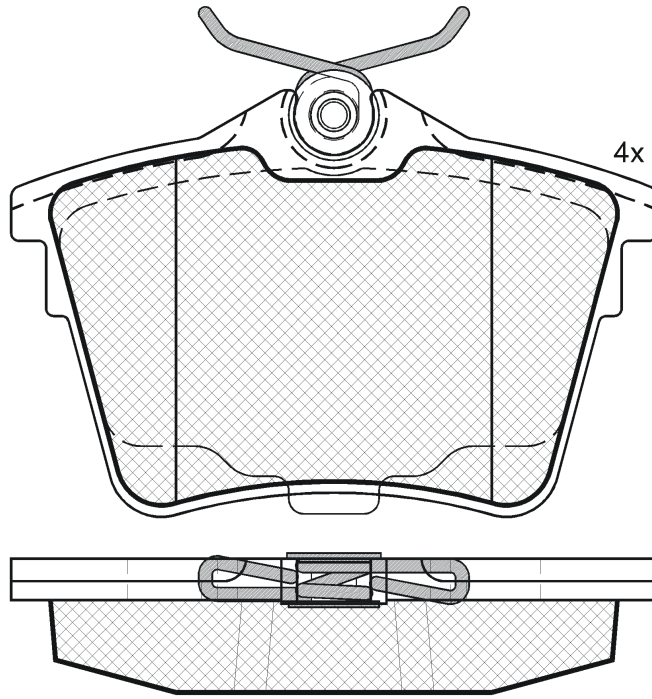
LISTA DE APLICACIONES - BUYERS GUIDE

181658-703

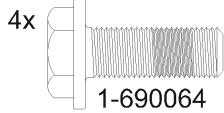


Qty: 944 Peso: 1.039

O.E.M.	MAKE
4254.04	CITROËN
4252.79	PEUGEOT
4253.26	PEUGEOT
4254.21	PEUGEOT
4254.91	PEUGEOT



181658-703



181658-703

E 9 90R-01110/970



Trw

85.9x56.7x17.8

WVA	FMSI
24135	D1486-8685
MAKE	
CITROËN	
PEUGEOT	



Trac.	CC	Kw	CV
-------	----	----	----



Front / Rear

CITROËN

C5 II (TD_) 02.08-						Estate (Large family car-D Segment)			
1.6 VTi 120 (5FS (EP6C))		Petrol	FWD	1598	88	120	07.10-		*
1.6 THP 155 (5FV (EP6DT))		Petrol	FWD	1598	115	156	04.09-		*
1.8 16V (6FY (EW7A))		Petrol	FWD	1749	92	125	02.08-		*
2.0 16V (RFJ (EW10A))		Petrol	FWD	1997	103	140	02.08-		*
2.0 16V BioFlex (RFJ (EW10A))		Petrol	FWD	1997	103	140	02.08-		*
3.0		Petrol	FWD	2946	152	207	02.08-		*
3.0 V6 (XFU (ES9A))		Petrol	FWD	2946	155	211	02.08-		*
1.6 HDi (9HZ (DV6TED4))		Diesel	FWD	1560	80	109	02.08-		*
1.6 HDi 110 (9HR (DV6C))		Diesel	FWD	1560	82	112	07.10-		*
1.6 HDi 115 (9HR (DV6C))	not electr.handbrake	Diesel	FWD	1560	84	114	01.12-		*
2.0 Hdi (RHR (DW10BTED4))		Diesel	FWD	1997	100	136	02.08-		*
2.0 HDi 140 (RHF (DW10BTED4))		Diesel	FWD	1997	103	140	04.09-		*
2.0 HDi 165 (RHH (DW10CTED4))		Diesel	FWD	1997	120	163	04.09-		*
2.2 HDi (4HT (DW12BTED4))		Diesel	FWD	2179	125	170	02.08-		*
2.2 HDi 200 (4HL (DW12C))		Diesel	FWD	2179	150	204	07.10-		*
2.7 HDi (DT17ED4)		Diesel	FWD	2720	150	204	02.08-		*

LISTA DE APLICACIONES - BUYERS GUIDE

2.7 HDi (UHZ (DT17BTED4))		Diesel	FWD	2720	150	204	02.08-	*	
3.0 HDi 240 (DT20C)		Diesel	FWD	2992	177	241	04.09-	*	
C5 II (RD_) 02.08-					Sedán (Large family car-D Segment)				
1.6 VTi 120 (5FS (EP6C))		Petrol	FWD	1598	88	120	07.10-	*	
1.6 THP 155 (5FV (EP6CDT))		Petrol	FWD	1598	115	156	04.09-	*	
1.8 16V (6FY (EW7A))		Petrol	FWD	1749	92	125	02.08-	*	
2.0 16V (RFJ (EW10A))		Petrol	FWD	1997	103	140	02.08-	*	
2.0 16V BioFlex (RFJ (EW10A))		Petrol	FWD	1997	103	140	02.08-	*	
3.0		Petrol	FWD	2946	152	207	02.08-	*	
3.0 V6 (XFU (ES9A))		Petrol	FWD	2946	155	211	02.08-	*	
1.6 HDi (9HZ (DV6TED4))		Diesel	FWD	1560	80	109	02.08-	*	
1.6 HDi 110 (9HR (DV6C))		Diesel	FWD	1560	82	112	07.10-	*	
1.6 HDi 115 (9HR (DV6C))	not electr.handbrake	Diesel	FWD	1560	84	114	01.12-	*	
2.0 Hdi (RHF (DW10BTED4))		Diesel	FWD	1997	100	136	02.08-	*	
2.0 Hdi (RHR (DW10BTED4))		Diesel	FWD	1997	100	136	02.08-	*	
2.0 HDi 140 (RHF (DW10BTED4))		Diesel	FWD	1997	103	140	04.09-	*	
2.0 HDi 165 (RHH (DW10CTED4))		Diesel	FWD	1997	120	163	04.09-	*	
2.2 HDi (4HT (DW12BTED4))		Diesel	FWD	2179	125	170	02.08-	*	
2.2 HDi 200 (4HL (DW12C))		Diesel	FWD	2179	150	204	07.10-	*	
2.7 HDi (DT17ED4)		Diesel	FWD	2720	150	204	02.08-	*	
3.0 HDi 240 (DT20C)		Diesel	FWD	2992	177	241	04.09-	*	
PEUGEOT									
407 (6C_) 10.05-					Coupé (Large family car-D Segment)				
2.2 16V (3FY (EW12J4))	-12/10	Petrol	FWD	2230	120	163	10.05-	*	
3.0 V6 (XFV (ES9A))	-12/10	Petrol	FWD	2946	155	211	10.05-	*	
2.0 Hdi (RHR (DW10BTED4))		Diesel	FWD	1997	100	136	10.05-	*	
2.0 Hdi (RHE (DW10CTED4))		Diesel	FWD	1997	110	150	02.10-	*	
2.0 Hdi (RHH (DW10CTED4))	-12/10	Diesel	FWD	1997	120	163	06.09-	*	
2.7 HDi (UHZ (DT17))	-12/10	Diesel	FWD	2720	150	204	10.05-	*	
3.0 HDi (DT20C)	-12/10	Diesel	FWD	2992	177	241	06.09-	*	
407 (6E_) 05.04-					Estate (Large family car-D Segment)				
1.8 (6FZ (EW7J4))		Petrol	FWD	1749	85	116	05.04-	*	
1.8 16V (6FY (EW7A))		Petrol	FWD	1749	92	125	09.05-	*	
2.0 (RFN (EW10J4))		Petrol	FWD	1997	100	136	05.04-	*	
2.0 16V (RFJ (EW10A))		Petrol	FWD	1997	103	140	09.05-	*	
2.0 Bioflex (RFJ (EW10A))		Petrol	FWD	1997	103	140	01.08-	*	

LISTA DE APLICACIONES - BUYERS GUIDE

2.2 (3FZ (EW12J4))	-12/10	Petrol	FWD	2230	116	158	05.04-	*
2.2 16V (3FY (EW12J4))	-12/10	Petrol	FWD	2230	120	163	09.05-	*
3.0 (XFV (ES9A))	-12/10	Petrol	FWD	2946	155	211	05.04-	*
1.6 HDi 110 (9HY (DV6TED4))		Diesel	FWD	1560	80	109	05.04-	*
2.0 HDi 135 (RHR (DW10BTED4))		Diesel	FWD	1997	100	136	05.04-	*
2.0 Hdi (RHR (DW10BTED4))		Diesel	FWD	1997	103	140	08.08-	*
2.0 Hdi (RHE (DW10CTED4))		Diesel	FWD	1997	110	150	02.10-	*
2.0 Hdi (RHH (DW10CTED4))	-12/10	Diesel	FWD	1997	120	163	07.09-	*
2.2 HDi (4HP (DW12BTED4))	-12/10	Diesel	FWD	2179	120	163	06.08-	*
2.2 HDi 170 (4HT (DW12BTED4))	-12/10	Diesel	FWD	2179	125	170	05.06-	*
2.7 HDi (UHZ (DT17))	-12/10	Diesel	FWD	2720	150	204	10.05-	*
407 (6D_) 05.04-				Sedán (Large family car-D Segment)				
1.8 (6FZ (EW7J4))		Petrol	FWD	1749	85	116	05.04-	*
1.8 16V (6FY (EW7A))		Petrol	FWD	1749	92	125	09.05-	*
2.0 (RFN (EW10J4))		Petrol	FWD	1997	100	136	05.04-	*
2.0 16V (RFJ (EW10A))		Petrol	FWD	1997	103	140	09.05-	*
2.2 (3FZ (EW12J4))	-12/10	Petrol	FWD	2230	116	158	05.04-	*
2.2 16V (3FY (EW12J4))	-12/10	Petrol	FWD	2230	120	163	09.05-	*
3.0 (XFV (ES9A))	-12/10	Petrol	FWD	2946	155	211	05.04-	*
1.6 HDi 110 (9HY (DV6TED4))		Diesel	FWD	1560	80	109	05.04-	*
2.0 HDi 135 (RHR (DW10BTED4))		Diesel	FWD	1997	100	136	05.04-	*
2.0 Hdi (RHR (DW10BTED4))		Diesel	FWD	1997	103	140	08.08-	*
2.0 Hdi (RHE (DW10CTED4))		Diesel	FWD	1997	110	150	02.10-	*
2.0 Hdi (RHH (DW10CTED4))	-12/10	Diesel	FWD	1997	120	163	07.09-	*
2.2 HDi (4HP (DW12BTED4))	-12/10	Diesel	FWD	2179	120	163	06.08-	*
2.2 HDi 170 (4HT (DW12BTED4))	-12/10	Diesel	FWD	2179	125	170	05.06-	*
2.7 HDi (UHZ (DT17))	-12/10	Diesel	FWD	2720	150	204	10.05-	*
607 (9D, 9U) 01.00-				Sedán (Executive car-E Segment)				
2.2 16V (3FY (EW12J4))	-12/10	Petrol	FWD	2230	120	163	09.05-	*
3.0 V6 24V (XFX (ES9J4S))	01/05-	Petrol	FWD	2946	152	207	02.00-	*
3.0 V6 24V (XFV (ES9A))	01/06-	Petrol	FWD	2946	155	211	03.04-	*
2.0 Hdi (RHR (DW10BTED4))	-12/10	Diesel	FWD	1997	100	136	09.05-	*
2.2 HDi (4HT (DW12BTED4))	-12/10	Diesel	FWD	2179	125	170	05.06-	*
2.7 HDi 24V (DT17TED4)	-12/10	Diesel	FWD	2721	150	204	12.04-	*