

LISTA DE APLICACIONES - BUYERS GUIDE

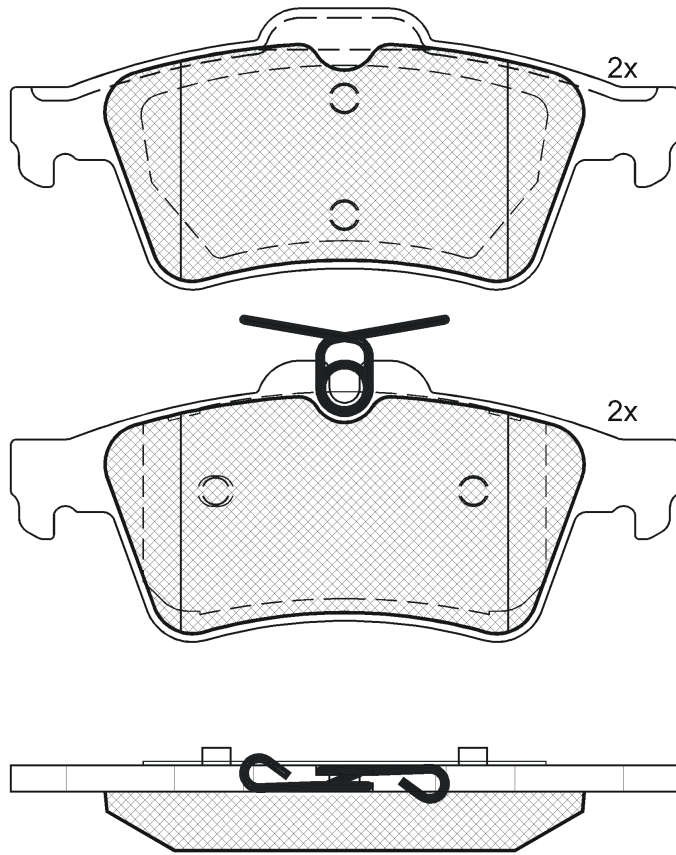
181651



Qty: 944

Peso: 1.015

O.E.M.	MAKE
9318 3140	CADILLAC
9319 0338	CADILLAC
4254.05	CITROËN
1 763 677	FORD
1 809 259	FORD
MEAV6J-2M008-AA	FORD
5W93-2200-AA	JAGUAR
5W93-2200-AB	JAGUAR
8W83-2200-AA	JAGUAR
C2C 27271	JAGUAR
C2D 23143	JAGUAR
C2P 17595	JAGUAR
16 05 117	OPEL
16 05 993	OPEL
93 176 116	OPEL
44 06 000 02R	RENAULT
44 06 016 89R	RENAULT
32 01 784 8	SAAB
93 18 314 0	SAAB
16 05 117	VAUXHALL



181651



E 9 90R-01110/570

Ate - Teves

123.1x51.9x16.4

WVA	FMSI
23482	D1095-7874
24136	
24137	

MAKE
CADILLAC
CITROËN
FORD
HOLDEN
JAGUAR
OPEL
PONTIAC
RENAULT
SAAB
VAUXHALL



Trac.	CC	Kw	CV



Front / Rear

CADILLAC

BLS 12.07-					Estate (Compact executive car-D Segment)			
2.0 t (Z 20 NET)		Petrol	FWD	1998	129	175	12.07-	*
2.0 T Flexpower (Z 20 LER)		Petrol	FWD	1998	147	200	12.07-	*
2.0 t (Z 20 NER)		Petrol	FWD	1998	154	210	12.07-	*
2.8 T (Z 28 NET)		Petrol	FWD	2792	188	255	12.07-	*
1.9 D (Z19DTH)		Diesel	FWD	1910	110	150	12.07-	*
1.9 D (Z 19 DTR)		Diesel	FWD	1910	132	180	12.07-	*

BLS 04.06-					Sedán (Compact executive car-D Segment)			
2.0 t (B207L)		Petrol	FWD	1998	129	175	04.06-	*
2.0 t (LK9)		Petrol	FWD	1998	129	175	04.06-	*
2.0 T Flexpower (Z 20 LER)		Petrol	FWD	1998	147	200	12.07-	*
2.0 t (B207R)		Petrol	FWD	1998	154	210	04.06-	*
2.0 t (LK9)		Petrol	FWD	1998	154	210	04.06-	*
2.8 T (B284L)		Petrol	FWD	2792	188	255	04.06-	*
1.9 TD 8V	01/06-	Diesel		1895	88	120	04.06-	*
1.9 TD 8V	01/06-	Diesel		1895	88	120	04.06-	*
1.9 D (Z19DTH)		Diesel	FWD	1910	110	150	04.06-	*

LISTA DE APLICACIONES - BUYERS GUIDE

1.9 D (Z 19 DTR)		Diesel	FWD	1910	132	180	12.07-		*	
CITROËN										
C5 II (TD_) 02.08-							Estate (Large family car-D Segment)			
1.6 VTi 120 (5FS (EP6C))		Petrol	FWD	1598	88	120	07.10-		*	
1.6 THP 155 (5FV (EP6DT))		Petrol	FWD	1598	115	156	04.09-		*	
1.8 16V (6FY (EW7A))		Petrol	FWD	1749	92	125	02.08-		*	
2.0 16V (RFJ (EW10A))		Petrol	FWD	1997	103	140	02.08-		*	
2.0 16V BioFlex (RFJ (EW10A))		Petrol	FWD	1997	103	140	02.08-		*	
3.0		Petrol	FWD	2946	152	207	02.08-		*	
3.0 V6 (XFU (ES9A))		Petrol	FWD	2946	155	211	02.08-		*	
1.6 HDi (9HZ (DV6TED4))		Diesel	FWD	1560	80	109	02.08-		*	
1.6 HDi 110 (9HR (DV6C))		Diesel	FWD	1560	82	112	07.10-		*	
1.6 HDi 115 (9HR (DV6C))	electric handbrake	Diesel	FWD	1560	84	114	01.12-		*	
2.0 Hdi (RHR (DW10BTED4))		Diesel	FWD	1997	100	136	02.08-		*	
2.0 HDi 140 (RHF (DW10BTED4))		Diesel	FWD	1997	103	140	04.09-		*	
2.0 HDi 165 (RHH (DW10CTED4))		Diesel	FWD	1997	120	163	04.09-		*	
2.2 HDi (4HT (DW12BTED4))		Diesel	FWD	2179	125	170	02.08-		*	
2.2 HDi 200 (4HL (DW12C))		Diesel	FWD	2179	150	204	07.10-		*	
2.7 HDi (DT17ED4)		Diesel	FWD	2720	150	204	02.08-		*	
2.7 HDi (UHZ (DT17BTED4))		Diesel	FWD	2720	150	204	02.08-		*	
3.0 HDi 240 (DT20C)		Diesel	FWD	2992	177	241	04.09-		*	
C5 II (RD_) 02.08-							Sedán (Large family car-D Segment)			
1.6 VTi 120 (5FS (EP6C))		Petrol	FWD	1598	88	120	07.10-		*	
1.6 THP 155 (5FV (EP6CDT))		Petrol	FWD	1598	115	156	04.09-		*	
1.8 16V (6FY (EW7A))		Petrol	FWD	1749	92	125	02.08-		*	
2.0 16V (RFJ (EW10A))		Petrol	FWD	1997	103	140	02.08-		*	
2.0 16V BioFlex (RFJ (EW10A))		Petrol	FWD	1997	103	140	02.08-		*	
3.0		Petrol	FWD	2946	152	207	02.08-		*	
3.0 V6 (XFU (ES9A))		Petrol	FWD	2946	155	211	02.08-		*	
1.6 HDi (9HZ (DV6TED4))		Diesel	FWD	1560	80	109	02.08-		*	
1.6 HDi 110 (9HR (DV6C))		Diesel	FWD	1560	82	112	07.10-		*	
1.6 HDi 115 (9HR (DV6C))	electric handbrake	Diesel	FWD	1560	84	114	01.12-		*	
2.0 Hdi (RHF (DW10BTED4))		Diesel	FWD	1997	100	136	02.08-		*	
2.0 Hdi (RHR (DW10BTED4))		Diesel	FWD	1997	100	136	02.08-		*	
2.0 HDi 140 (RHF (DW10BTED4))		Diesel	FWD	1997	103	140	04.09-		*	
2.0 HDi 165 (RHH (DW10CTED4))		Diesel	FWD	1997	120	163	04.09-		*	

LISTA DE APLICACIONES - BUYERS GUIDE

2.2 HDi (4HT (DW12BTED4))		Diesel	FWD	2179	125	170	02.08-	*
2.2 HDi 200 (4HL (DW12C))		Diesel	FWD	2179	150	204	07.10-	*
2.7 HDi (DT17ED4)		Diesel	FWD	2720	150	204	02.08-	*
3.0 HDi 240 (DT20C)		Diesel	FWD	2992	177	241	04.09-	*
FORD								
FOCUS II (DA_) 04.05-					Sedán (Compact car-C Segment)			
1.6 TDCi (G8DC)		Diesel	FWD	1560	74	100	04.05-09.12	*
1.6 TDCi (MTDA)		Diesel	FWD	1560	74	100	04.05-09.12	*
TOURNEO CONNECT / TRANSIT CONNECT 06.02-					MPV (Large MPV-M1 Segment)			
1.8 16V (EYPA)	01/12-	Petrol	FWD	1796	85	116	06.02-12.13	*
1.8 16V (EYPC)	01/12-	Petrol	FWD	1796	85	116	06.02-12.13	*
1.8 16V (EYPD)	01/12-	Petrol	FWD	1796	85	116	06.02-12.13	*
1.8 TDCi /TDDi /DI (BHPA)	01/12-	Diesel	FWD	1753	55	75	06.02-12.13	*
1.8 TDCi /TDDi /DI (P7PA)	01/12-	Diesel	FWD	1753	55	75	06.02-12.13	*
1.8 TDCi /TDDi /DI (P7PB)	01/12-	Diesel	FWD	1753	55	75	06.02-12.13	*
1.8 TDCi /TDDi /DI (R2PA)	01/12-	Diesel	FWD	1753	55	75	06.02-12.13	*
1.8 TDCi (HCPA)	01/12-	Diesel	FWD	1753	66	90	06.02-12.13	*
1.8 TDCi (HCPB)	01/12-	Diesel	FWD	1753	66	90	06.02-12.13	*
1.8 TDCi (P9PA)	01/12-	Diesel	FWD	1753	66	90	06.02-12.13	*
1.8 TDCi (P9PB)	01/12-	Diesel	FWD	1753	66	90	06.02-12.13	*
1.8 TDCi (P9PC)	01/12-	Diesel	FWD	1753	66	90	06.02-12.13	*
1.8 TDCi (P9PD)	01/12-	Diesel	FWD	1753	66	90	06.02-12.13	*
1.8 TDCi (R3PA)	01/12-	Diesel	FWD	1753	66	90	06.02-12.13	*
1.8 TDCi (RWPE)	01/12-	Diesel	FWD	1753	66	90	06.02-12.13	*
1.8 TDCi (RWPF)	01/12-	Diesel	FWD	1753	66	90	06.02-12.13	*
1.8 TDCi (RWPA)	01/12-	Diesel	FWD	1753	81	110	08.06-12.13	*
1.8 TDCi (RWPC)	01/12-	Diesel	FWD	1753	81	110	08.06-12.13	*
1.8 TDCi (RWPD)	01/12-	Diesel	FWD	1753	81	110	08.06-12.13	*
TRANSIT CONNECT (P65_, P70_, P80_) 06.02-					Furgón (LCVs-N1 Segment)			
1.8 16V (EYPA)	01/12-	Petrol	FWD	1796	85	116	06.02-12.13	*
1.8 16V (EYPC)	01/12-	Petrol	FWD	1796	85	116	06.02-12.13	*
1.8 16V (EYPD)	01/12-	Petrol	FWD	1796	85	116	06.02-12.13	*
1.8 16V LPG (EYPC)	01/12-	Petrol	FWD	1796	85	116	06.02-12.13	*
1.8 DI (BHPA)	01/12-	Diesel	FWD	1753	55	75	06.02-12.13	*
1.8 DI (P7PA)	01/12-	Diesel	FWD	1753	55	75	06.02-12.13	*
1.8 DI (P7PB)	01/12-	Diesel	FWD	1753	55	75	06.02-12.13	*

LISTA DE APLICACIONES - BUYERS GUIDE

1.8 DI (R2PA)	01/12-	Diesel	FWD	1753	55	75	06.02-12.13	*
1.8 TDCi (HCPA)	01/12-	Diesel	FWD	1753	66	90	06.02-12.13	*
1.8 TDCi (HCPB)	01/12-	Diesel	FWD	1753	66	90	06.02-12.13	*
1.8 TDCi (P9PA)	01/12-	Diesel	FWD	1753	66	90	06.02-12.13	*
1.8 TDCi (P9PB)	01/12-	Diesel	FWD	1753	66	90	06.02-12.13	*
1.8 TDCi (P9PC)	01/12-	Diesel	FWD	1753	66	90	06.02-12.13	*
1.8 TDCi (P9PD)	01/12-	Diesel	FWD	1753	66	90	06.02-12.13	*
1.8 TDCi (R3PA)	01/12-	Diesel	FWD	1753	66	90	06.02-12.13	*
1.8 TDCi (RWPE)	01/12-	Diesel	FWD	1753	66	90	06.02-12.13	*
1.8 TDCi (RWPF)	01/12-	Diesel	FWD	1753	66	90	06.02-12.13	*
HOLDEN								
VECTRA (ZC) 04.02-12.06					Fastback (Large family car-D Segment)			
2.2 i (Z 22 SE)	01/04-	Petrol	FWD	2198	108	147	04.02-12.06	*
3.2 i (Z 32 SE)	01/04-	Petrol	FWD	3175	155	211	08.02-12.06	*
VECTRA (ZC) 04.02-12.06					Sedán (Large family car-D Segment)			
2.2 i (Z 22 SE)	01/04-	Petrol	FWD	2198	108	147	04.02-12.06	*
3.2 i (Z 32 SE)	01/04-	Petrol	FWD	3175	155	211	08.02-12.06	*
JAGUAR								
S-TYPE (CCX) 01.99-11.09					Sedán (Executive car-E Segment)			
3.0 V6 (AJ-V6)	01/07-	Petrol	RWD	2967	175	238	01.99-10.07	*
4.2 V8 (AJ8FT)	01/07-	Petrol	RWD	4196	219	298	04.02-10.07	*
2.7 D (AJD)	01/07-	Diesel	RWD	2720	152	207	06.04-10.07	*
XF (X250_J05_, CC9) 03.08-					Sedán (Luxury car-F Segment)			
3.0 (AJ6WG)		Petrol	RWD	2967	175	238	03.08-04.15	*
3.0 (FB)		Petrol	RWD	2967	179	243	03.08-04.15	*
3.0 (AJ 126)		Petrol	RWD	2995	250	340	03.12-04.15	*
3.0 (AJ 126)		Petrol	4WD	2995	250	340	10.12-04.15	*
4.2 (SV82G)		Petrol	RWD	4196	219	298	03.08-04.15	*
4.2 Kompressor (SV8TS)	-12/10	Petrol	RWD	4196	306	416	03.08-04.15	*
5.0 (508PN)		Petrol	RWD	5000	283	385	03.09-04.15	*
5.0 Kompressor (508PS)	-12/10	Petrol	RWD	5000	375	510	03.09-04.15	*
2.2 D (224DT)		Diesel	RWD	2179	120	163	04.11-04.15	*
2.2 D (224DT)		Diesel	RWD	2179	140	190	05.11-04.15	*
2.2 D (224DT)		Diesel	RWD	2179	147	200	03.12-04.15	*
2.7 D (AJD)		Diesel	RWD	2720	152	207	03.08-04.15	*
3.0 D (AJV6D)		Diesel	RWD	2993	155	211	03.09-04.15	*

LISTA DE APLICACIONES - BUYERS GUIDE

3.0 D (306DT)		Diesel	RWD	2993	177	241	03.09-04.15	*	
3.0 D (AJV6D)		Diesel	RWD	2993	177	241	03.09-04.15	*	
3.0 D (306DT)		Diesel	4WD	2993	177	241	03.12-	*	
3.0 D (AJV6D)		Diesel	4WD	2993	177	241	03.12-	*	
3.0 D (306DT)		Diesel	RWD	2993	202	275	03.09-04.15	*	
3.0 D (AJV6D)		Diesel	RWD	2993	202	275	03.09-04.15	*	
XF II (X260) 05.15-					Sedán (Luxury car-F Segment)				
2.0 (204PT)		Petrol	RWD	1999	177	241	05.15-	*	
3.0 (AJ 126)		Petrol	RWD	2995	250	340	05.15-	*	
3.0 (AJ 126)		Petrol	4WD	2995	250	340	07.15-	*	
3.0 (AJ 126)		Petrol	RWD	2995	280	380	05.15-	*	
3.0 (AJ 126)		Petrol	4WD	2995	280	380	07.15-	*	
2.0 D (204DTD)		Diesel	RWD	1999	120	163	05.15-	*	
2.0 D (204DTD)		Diesel	RWD	1999	132	180	05.15-	*	
3.0 D (306DT)		Diesel	RWD	2993	221	300	05.15-	*	
XF SPORTBRAKE (CC9) 09.12-					Estate (Luxury car-F Segment)				
2.2 D (224DT)		Diesel	RWD	2179	120	163	09.12-	*	
2.2 D (224DT)		Diesel	RWD	2179	147	200	09.12-	*	
3.0 D (306DT)		Diesel	RWD	2993	177	241	09.12-	*	
3.0 D (AJV6D)		Diesel	RWD	2993	177	241	09.12-	*	
3.0 D (306DT)		Diesel	RWD	2993	202	275	09.12-	*	
3.0 D (AJV6D)		Diesel	RWD	2993	202	275	09.12-	*	
XJ (X350, X358) 05.03-03.09					Sedán (Luxury car-F Segment)				
2.0 (204PT)		Petrol	RWD	1999	177	241	05.12-	*	
3.0 (AJ-V6)	01/12-	Petrol	RWD	2967	175	238	01.11-	*	
6 3.0 (AJ-V6)	01/07-	Petrol	RWD	2967	175	238	05.03-03.09	*	
3.0 (AJ 126)		Petrol	RWD	2995	250	340	03.12-	*	
8 4.2 (AJ8FT)	01/07-	Petrol	RWD	4196	219	298	05.03-03.09	*	
8 4.2 (AJ-V8)	01/07-	Petrol	RWD	4196	219	298	05.03-03.09	*	
6 2,7 D (AJD)	01/07-	Diesel	RWD	2720	152	207	10.05-03.09	*	
3.0 V6 D (AJV6D)	01/12-	Diesel	RWD	2993	202	275	10.09-	*	
XK (J43) 03.06-07.14					Cabrio (Grand Tourer-S Segment)				
3.6		Petrol	RWD	3555	190	258	10.07-07.14	*	
4.2 XK8 (AJ8FT)		Petrol	RWD	4196	219	298	03.06-07.14	*	
4.2 XKR (SV8TS)		Petrol	RWD	4196	306	416	03.06-07.14	*	
4.2 XKR (SV8TS)		Petrol	RWD	4196	313	426	08.06-07.14	*	

LISTA DE APLICACIONES - BUYERS GUIDE

5.0 V8 (508PN)		Petrol	RWD	5000	283	385	01.09-07.14	*	
5.0 XKR (508PS)		Petrol	RWD	5000	375	510	01.09-07.14	*	
XK (J43) 03.06-07.14					Coupé (Grand Tourer-S Segment)				
3.5		Petrol	RWD	3555	190	258	07.07-07.14	*	
4.2 XK8 (AJ8FT)		Petrol	RWD	4196	219	298	03.06-07.14	*	
4.2 XKR (AJ8FT)		Petrol	RWD	4196	291	396	03.06-07.14	*	
4.2 XKR (SV8TS)		Petrol	RWD	4196	306	416	03.06-07.14	*	
4.2 XKR (SV8TS)		Petrol	RWD	4196	313	426	08.06-07.14	*	
5.0 V8 (508PN)		Petrol	RWD	5000	283	385	01.09-07.14	*	
5.0 XKR (508PS)		Petrol	RWD	5000	375	510	01.09-07.14	*	
OPEL									
SIGNUM 05.03-					Fastback (Large family car-D Segment)				
1.8 (Z 18 XE)	01/04-	Petrol	FWD	1796	90	122	05.03-	*	
1.8 (Z 18 XER)	01/06-	Petrol	FWD	1796	103	140	09.05-	*	
2.0 Turbo (Z 20 NET)	01/04-	Petrol	FWD	1998	129	175	05.03-	*	
2.2 direct (Z 22 YH)	01/04-	Petrol	FWD	2198	114	155	05.03-	*	
2.8 V6 Turbo (Z 28 NEL)	-12/08	Petrol	FWD	2792	169	230	09.05-	*	
2.8 V6 Turbo (Z 28 NET)	-12/08	Petrol	FWD	2792	184	250	01.06-	*	
2.8 (Z 28 NET)	-12/08	Petrol	FWD	2792	206	280	10.06-	*	
3.2 V6 (Z 32 SE)	01/04-	Petrol	FWD	3175	155	211	05.03-	*	
1.9 CDTi (Z 19 DT)	-12/08	Diesel	FWD	1910	74	100	08.05-	*	
1.9 CDTi (Z 19 DT)	-12/08	Diesel	FWD	1910	88	120	04.04-	*	
1.9 CDTi (Z 19 DTH)	-12/08	Diesel	FWD	1910	110	150	04.04-	*	
2.0 DTI (Y 20 DTH)	01/04-	Diesel	FWD	1994	74	100	05.03-	*	
2.2 DTI (Y 22 DTR)	01/04-	Diesel	FWD	2171	92	125	05.03-	*	
3.0 V6 CDTi (Y 30 DT)	01/04-	Diesel	FWD	2958	130	177	05.03-	*	
3.0 V6 CDTi (Z 30 DT)	-12/08	Diesel	FWD	2959	135	184	09.05-	*	
VECTRA C 10.03-					Estate (Large family car-D Segment)				
1.6 16V (Z 16 XE)	01/05-	Petrol	FWD	1598	74	100	06.04-	*	
1.6 (Z 16 XEP)	-12/08	Petrol	FWD	1598	77	105	01.06-	*	
1.8 (Z 18 XE)	01/04-	Petrol	FWD	1796	90	122	10.03-	*	
1.8 (Z 18 XER)	-12/08	Petrol	FWD	1796	103	140	01.06-	*	
2.0 Turbo (Z 20 NET)	01/04-	Petrol	FWD	1998	129	175	10.03-	*	
2.2 direct (Z 22 YH)	01/04-	Petrol	FWD	2198	114	155	10.03-	*	
2.8 V6 Turbo (Z 28 NEL)	-12/08	Petrol	FWD	2792	169	230	08.05-	*	
2.8 V6 Turbo (Z 28 NET)	-12/08	Petrol	FWD	2792	184	250	01.07-	*	

LISTA DE APLICACIONES - BUYERS GUIDE

2.8 V6 Turbo (Z 28 NET)	-12/08	Petrol	FWD	2792	188	255	08.05-	*
2.8 V6 Turbo (Z 28 NET)	-12/08	Petrol	FWD	2792	206	280	01.07-	*
3.2 V6 (Z 32 SE)	01/04-	Petrol	FWD	3175	155	211	10.03-	*
1.9 CDTi (Z 19 DTL)	-12/08	Diesel	FWD	1910	74	100	10.05-	*
1.9 CDTi (Z 19 DT)	-12/08	Diesel	FWD	1910	88	120	04.04-	*
1.9 CDTi (Z 19 DTH)	-12/08	Diesel	FWD	1910	110	150	04.04-	*
2.0 DTI (Y 20 DTH)	01/04-	Diesel	FWD	1995	74	100	10.03-	*
2.2 DTI (Y 22 DTR)	01/04-	Diesel	FWD	2172	92	125	10.03-	*
3.0 V6 CDTI (Y 30 DT)	01/04-	Diesel	FWD	2958	130	177	10.03-	*
3.0 V6 CDTI (Z 30 DT)	-12/08	Diesel	FWD	2958	135	184	08.05-	*
VECTRA C 08.02-					Fastback (Large family car-D Segment)			
1.6 (Z 16 XE)	-12/08	Petrol	FWD	1598	74	100	08.05-	*
1.6 (Z 16 XEP)	-12/08	Petrol	FWD	1598	77	105	01.06-	*
1.8 16V (Z 18 XEL)		Petrol	FWD	1796	81	110	08.02-12.06	*
1.8 16V (Z 18 XE)	01/04-	Petrol	FWD	1796	90	122	08.02-	*
1.8 (Z 18 XER)	-12/08	Petrol	FWD	1796	103	140	01.06-	*
2.0 16V Turbo (Z 20 NET)	01/04-	Petrol	FWD	1998	129	175	03.03-	*
2.2 16V (Z 22 SE)	01/04-	Petrol	FWD	2198	108	147	08.02-	*
2.2 direct (Z 22 YH)	01/04-	Petrol	FWD	2198	114	155	10.03-	*
2.8 V6 Turbo (Z 28 NEL)	-12/08	Petrol	FWD	2792	169	230	08.05-	*
2.8 V6 Turbo (Z 28 NET)	-12/08	Petrol	FWD	2792	184	250	08.06-	*
2.8 V6 Turbo (Z 28 NET)	-12/08	Petrol	FWD	2792	188	255	08.05-	*
2.8 V6 Turbo (Z 28 NET)	-12/08	Petrol	FWD	2792	206	280	08.06-	*
3.2 V6 (Z 32 SE)	01/04-	Petrol	FWD	3175	155	211	08.02-	*
1.9 CDTi (Z 19 DTL)	-12/08	Diesel	FWD	1910	74	100	10.05-	*
1.9 CDTi (Z 19 DT)	-12/08	Diesel	FWD	1910	88	120	04.04-	*
1.9 CDTi (Z 19 DTH)	-12/08	Diesel	FWD	1910	110	150	04.04-	*
2.0 DTI 16V (Y 20 DTH)	01/04-	Diesel	FWD	1995	74	101	08.02-	*
2.2 DTI 16V (Y 22 DTR)	01/04-	Diesel	FWD	2172	92	125	08.02-	*
3.0 CDTI (Y 30 DT)	01/04-	Diesel	FWD	2958	130	177	06.03-	*
3.0 CDTI (Z 30 DT)	-12/08	Diesel	FWD	2958	135	184	08.05-	*
VECTRA C 04.02-					Sedán (Large family car-D Segment)			
1.6 16V (Z 16 XE)	-12/08	Petrol	FWD	1598	74	100	06.04-	*
1.6 (Z 16 XEP)	-12/08	Petrol	FWD	1598	77	105	01.06-	*
1.8 (Z 18 XEL)	01/04-	Petrol	FWD	1796	81	110	04.02-	*

LISTA DE APLICACIONES - BUYERS GUIDE

1.8 16V (Z 18 XE)	01/04-	Petrol	FWD	1796	90	122	04.02-	*
1.8 (Z 18 XER)	-12/08	Petrol	FWD	1796	103	140	01.06-	*
2.0 16V Turbo (Z 20 NET)	01/04-	Petrol	FWD	1998	129	175	03.03-	*
2.2 16V (Z 22 SE)	01/04-	Petrol	FWD	2198	108	147	04.02-	*
2.2 direct (Z 22 YH)	01/04-	Petrol	FWD	2198	114	155	10.03-	*
2.8 V6 Turbo (Z 28 NEL)	-12/08	Petrol	FWD	2792	169	230	08.05-	*
2.8 V6 Turbo (Z 28 NET)	-12/08	Petrol	FWD	2792	184	250	08.06-	*
2.8 V6 Turbo (Z 28 NET)	-12/08	Petrol	FWD	2792	188	255	08.05-	*
3.2 V6 (Z 32 SE)	01/04-	Petrol	FWD	3175	155	211	08.02-	*
1.9 CDTi (Z 19 DT)	-12/08	Diesel	FWD	1910	74	100	10.05-	*
1.9 CDTi (Z 19 DT)	-12/08	Diesel	FWD	1910	88	120	04.04-	*
1.9 CDTi (Z 19 DTH)	-12/08	Diesel	FWD	1910	110	150	04.04-	*
2.0 DTI 16V (Y 20 DTH)	01/04-	Diesel	FWD	1995	74	101	04.02-	*
2.2 DTI 16V (Y 22 DTR)	01/04-	Diesel	FWD	2172	92	125	04.02-	*
3.0 CDTi (Y 30 DT)	01/04-	Diesel	FWD	2958	130	177	06.03-	*
3.0 CDTi (Z 30 DT)	-12/08	Diesel	FWD	2958	135	184	08.05-	*
PONTIAC								
SOLSTICE (U.S.A.) 09.05-12.09						Cabrio (Compact executive car-D Segment)		
2.4 VVTi (LE5)		Petrol	RWD	2384	132	179	03.05-	*
RENAULT								
ESPACE IV (JK0/1__J81) 11.02-						MPV (Large MPV-M1 Segment)		
2.0 (F4R 792)	01/06-	Petrol	FWD	1998	100	136	11.02-	*
2.0 Turbo (F4R 794)	01/06-	Petrol	FWD	1998	120	163	11.02-	*
2.0 Turbo (F4R 795)	01/06-	Petrol	FWD	1998	120	163	11.02-	*
2.0 Turbo (F4R 796)	01/06-	Petrol	FWD	1998	120	163	11.02-	*
2.0 Turbo (F4R 797)	01/06-	Petrol	FWD	1998	120	163	11.02-	*
2.0 (F4R 796)	01/06-	Petrol	FWD	1998	125	170	04.05-	*
2.0 (F4R 797)	01/06-	Petrol	FWD	1998	125	170	04.05-	*
2.0 (F4R 896)	01/06-	Petrol	FWD	1998	125	170	04.05-	*
2.0 (F4R 897)	01/06-	Petrol	FWD	1998	125	170	04.05-	*
3.5 V6 (V4Y 711)	01/06-	Petrol	FWD	3498	177	241	11.02-	*
3.5 V6 (V4Y 715)	01/06-	Petrol	FWD	3498	177	241	11.02-	*
1.9 dCi (F9Q 680)	01/06-	Diesel	FWD	1870	88	120	11.02-	*
1.9 dCi (F9Q 820)	01/06-	Diesel	FWD	1870	88	120	11.02-	*
1.9 dCi (F9Q 826)	01/06-	Diesel	FWD	1870	88	120	11.02-	*
2.0 dCi (M9R 802)		Diesel	FWD	1995	96	131	01.06-	*

LISTA DE APLICACIONES - BUYERS GUIDE

2.0 dCi (M9R 740)		Diesel	FWD	1995	110	150	01.06-	*	
2.0 dCi (M9R 750)		Diesel	FWD	1995	110	150	01.06-	*	
2.0 dCi (M9R 815)		Diesel	FWD	1995	110	150	01.06-	*	
2.0 dCi (M9R 760)		Diesel	FWD	1995	127	173	01.06-	*	
2.0 dCi (M9R 761)		Diesel	FWD	1995	127	173	01.06-	*	
2.0 dCi (M9R 762)		Diesel	FWD	1995	127	173	01.06-	*	
2.0 dCi (M9R 763)		Diesel	FWD	1995	127	173	01.06-	*	
2.2 dCi (G9T 645)		Diesel	FWD	2188	102	139	02.06-	*	
3.0 dCi (P9X 701)	01/06-	Diesel	FWD	2958	130	177	11.02-	*	
3.0 dCi (P9X 715)		Diesel	FWD	2958	133	181	01.06-	*	
LAGUNA II (KG0/1_K74) 03.01-					Estate (Large family car-D Segment)				
1.6 16V (K4M 716)	-12/07	Petrol	FWD	1598	82	112	02.05-	*	
2.0 16V (F4R 784)	-12/07	Petrol	FWD	1998	125	170	01.05-	*	
2.0 16V (F4R 786)	-12/07	Petrol	FWD	1998	125	170	01.05-	*	
2.0 16V (F4R 787)	-12/07	Petrol	FWD	1998	125	170	01.05-	*	
2.0 16V (F4R 886)	-12/07	Petrol	FWD	1998	150	204	01.05-	*	
2.0 16V (F4R 887)	-12/07	Petrol	FWD	1998	150	204	01.05-	*	
1.9 dCi (F9Q 674)	-12/07	Diesel	FWD	1870	81	110	01.05-	*	
1.9 dCi (F9Q 758)	-12/07	Diesel	FWD	1870	81	110	01.05-	*	
1.9 dCi (F9Q 758)	-12/07	Diesel	FWD	1870	96	130	05.05-	*	
1.9 dCi (F9Q 759)	-12/07	Diesel	FWD	1870	96	130	05.05-	*	
2.0 dCi (M9R 740)	-12/07	Diesel	FWD	1995	110	150	08.05-	*	
2.0 dCi (M9R 760)	-12/07	Diesel	FWD	1995	127	173	01.06-	*	
2.2 dCi (G9T 600)	-12/07	Diesel	FWD	2188	102	140	05.05-	*	
2.2 dCi (G9T 706)	-12/07	Diesel	FWD	2188	102	140	05.05-	*	
2.2 dCi (G9T 707)	-12/07	Diesel	FWD	2188	102	140	05.05-	*	
LAGUNA II (BG0/1_B74) 03.01-					Fastback (Large family car-D Segment)				
1.6 16V (K4M 716)	-12/07	Petrol	FWD	1598	82	112	02.05-	*	
2.0 16V (F4R 784)	-12/07	Petrol	FWD	1998	125	170	01.05-	*	
2.0 16V (F4R 786)	-12/07	Petrol	FWD	1998	125	170	01.05-	*	
2.0 16V (F4R 787)	-12/07	Petrol	FWD	1998	125	170	01.05-	*	
2.0 16V (F4R 886)	-12/07	Petrol	FWD	1998	150	204	01.05-	*	
2.0 16V (F4R 887)	-12/07	Petrol	FWD	1998	150	204	01.05-	*	
1.9 dCi (F9Q 674)	-12/07	Diesel	FWD	1870	81	110	01.05-	*	
1.9 dCi (F9Q 758)	-12/07	Diesel	FWD	1870	81	110	01.05-	*	

LISTA DE APLICACIONES - BUYERS GUIDE

1.9 dCi (F9Q 758)	-12/07	Diesel	FWD	1870	96	130	05.05-	*	
1.9 dCi (F9Q 759)	-12/07	Diesel	FWD	1870	96	130	05.05-	*	
2.0 dCi (M9R 740)	-12/07	Diesel	FWD	1995	110	150	08.05-	*	
2.0 dCi (M9R 760)	-12/07	Diesel	FWD	1995	127	173	01.06-	*	
2.2 dCi (G9T 600)	-12/07	Diesel	FWD	2188	102	140	05.05-	*	
2.2 dCi (G9T 605)	-12/07	Diesel	FWD	2188	102	140	05.05-	*	
2.2 dCi (G9T 706)	-12/07	Diesel	FWD	2188	102	140	05.05-	*	
2.2 dCi (G9T 707)	-12/07	Diesel	FWD	2188	102	140	05.05-	*	
LAGUNA III (DT0/1_D91) 09.08-					Coupé (Large family car-D Segment)				
2.0 16V Turbo (F4R 811)		Petrol	FWD	1998	125	170	09.08-	*	
2.0 16V Turbo (F4RT 811)		Petrol	FWD	1998	125	170	09.08-	*	
2.0 GT (F4RT 800)		Petrol	FWD	1998	150	204	09.08-	*	
3.5 V6 (V4Y 713)		Petrol	FWD	3498	175	238	09.08-	*	
2.0 dCi (M9R 802)		Diesel	FWD	1995	110	150	09.08-	*	
2.0 dCi (M9R 805)		Diesel	FWD	1995	110	150	09.08-	*	
2.0 dCi (M9R 814)		Diesel	FWD	1995	110	150	09.08-	*	
2.0 dCi (M9R 800)		Diesel	FWD	1995	127	173	09.08-	*	
2.0 dCi (M9R 809)		Diesel	FWD	1995	127	173	09.08-	*	
2.0 dCi (M9R 815)		Diesel	FWD	1995	127	173	09.08-	*	
2.0 dCi GT (DT11, DT1E, DT1N) (M9R 816)		Diesel	FWD	1995	131	178	09.08-	*	
2.0 dCi GT (DT11, DT1E, DT1N) (M9R 820)		Diesel	FWD	1995	131	178	09.08-	*	
3.0 dCi (V9X 791)		Diesel	FWD	2998	173	235	09.08-	*	
3.0 dCi (V9X 891)		Diesel	FWD	2998	173	235	09.08-	*	
3.0 dCi (V9X 891)		Diesel	FWD	2998	177	241	01.12-	*	
LAGUNA III (KT0/1_K91) 10.07-					Estate (Large family car-D Segment)				
1.6 16V (K4M 824)		Petrol	FWD	1598	81	110	10.07-	*	
2.0 16V Hi-Flex (M4R 704)		Petrol	FWD	1997	103	140	10.07-	*	
2.0 16V Hi-Flex (M4R 726)		Petrol	FWD	1997	103	140	10.07-	*	
2.0 16V (M4R 704)		Petrol	FWD	1998	103	140	10.07-	*	
2.0 16V Turbo (F4R 811)		Petrol	FWD	1998	125	170	10.07-	*	
2.0 GT (F4R 800)		Petrol	FWD	1998	150	204	03.08-	*	
1.5 Dci (K9K 780)		Diesel	FWD	1461	81	110	10.07-	*	
2.0 dCi (M9R 742)		Diesel	FWD	1995	96	131	10.07-	*	
2.0 dCi (M9R 744)		Diesel	FWD	1995	96	131	10.07-	*	
2.0 dCi (M9R 802)		Diesel	FWD	1995	96	131	10.07-	*	
2.0 dCi (M9R 802)		Diesel	FWD	1995	110	150	10.07-	*	

LISTA DE APLICACIONES - BUYERS GUIDE

2.0 dCi (M9R 805)		Diesel	FWD	1995	110	150	10.07-	*
2.0 dCi (M9R 814)		Diesel	FWD	1995	110	150	10.07-	*
2.0 dCi (M9R 800)		Diesel	FWD	1995	127	173	01.08-	*
2.0 dCi (M9R 809)		Diesel	FWD	1995	127	173	01.08-	*
2.0 dCi (M9R 815)		Diesel	FWD	1995	127	173	01.08-	*
3.0 dCi (V9X 791)		Diesel	FWD	2998	173	235	09.08-	*
3.0 dCi (V9X 891)		Diesel	FWD	2998	173	235	09.08-	*
LAGUNA III (BT0/1_B91) 10.07-					Fastback (Large family car-D Segment)			
1.6 16V (K4M 824)		Petrol	FWD	1598	81	110	10.07-	*
2.0 16V Hi-Flex (M4R 726)		Petrol	FWD	1997	103	140	10.07-	*
2.0 16V (M4R 704)		Petrol	FWD	1998	103	140	10.07-	*
2.0 16V Turbo (F4R 811)		Petrol	FWD	1998	125	170	10.07-	*
2.0 GT (F4R 800)		Petrol	FWD	1998	150	204	03.08-	*
1.5 Dci (K9K 780)		Diesel	FWD	1461	81	110	10.07-	*
2.0 dCi (M9R 742)		Diesel	FWD	1995	96	131	10.07-	*
2.0 dCi (M9R 744)		Diesel	FWD	1995	96	131	10.07-	*
2.0 dCi (M9R 802)		Diesel	FWD	1995	96	131	10.07-	*
2.0 dCi (M9R 802)		Diesel	FWD	1995	110	150	10.07-	*
2.0 dCi (M9R 805)		Diesel	FWD	1995	110	150	10.07-	*
2.0 dCi (M9R 814)		Diesel	FWD	1995	110	150	10.07-	*
2.0 dCi (M9R 800)		Diesel	FWD	1995	127	173	01.08-	*
2.0 dCi (M9R 809)		Diesel	FWD	1995	127	173	01.08-	*
2.0 dCi (M9R 815)		Diesel	FWD	1995	127	173	01.08-	*
2.0 dCi GT (M9R 816)		Diesel	FWD	1995	131	178	03.08-	*
3.0 dCi (V9X 791)		Diesel	FWD	2998	173	235	09.08-	*
3.0 dCi (V9X 891)		Diesel	FWD	2998	173	235	09.08-	*
MEGANE II (BM0/1_, CM0/1_B84_C84) 11.02-					Fastback (Compact car-C Segment)			
2.0 Renault Sport (F4R 774)	01/06-	Petrol	FWD	1998	165	224	05.04-10.09	*
2.0 Renault Sport (F4RT 774)	01/06-	Petrol	FWD	1998	165	224	05.04-10.09	*
2.0 (F4R 774)		Petrol	FWD	1998	169	230	08.06-02.08	*
VEL SATIS (BJ0_B73) 06.02-					MPV (MPV-M1 Segment)			
2.0 Turbo (F4R 867)	01/06-	Petrol	FWD	1998	108	147	04.05-	*
2.0 16V Turbo (F4R 762)	01/06-	Petrol	FWD	1998	120	163	06.02-	*
2.0 16V Turbo (F4R 763)	01/06-	Petrol	FWD	1998	120	163	06.02-	*
2.0 16V Turbo (F4R 766)	01/06-	Petrol	FWD	1998	125	170	04.04-	*
2.0 16V Turbo (F4R 767)	01/06-	Petrol	FWD	1998	125	170	04.04-	*

LISTA DE APLICACIONES - BUYERS GUIDE

3.5 (V4Y 715)	01/06-	Petrol	FWD	3498	170	231	10.04-	*
3.5 V6 (V4Y 701)	01/06-	Petrol	FWD	3498	177	241	06.02-	*
3.5 V6 (V4Y 711)	01/06-	Petrol	FWD	3498	177	241	06.02-	*
2.0 dCi (M9R 760)	01/06-	Diesel	FWD	1995	110	150	08.05-	*
2.0 dCi (M9R 760)		Diesel	FWD	1995	127	173	01.06-	*
2.0 dCi (M9R 762)		Diesel	FWD	1995	127	173	01.06-	*
2.0 dCi (M9R 763)		Diesel	FWD	1995	127	173	01.06-	*
2.2 dCi (G9T 600)	01/06-	Diesel	FWD	2188	83	113	12.04-	*
2.2 dCi (G9T 600)	01/06-	Diesel	FWD	2188	85	116	04.04-	*
2.2 dCi (G9T 600)	01/06-	Diesel	FWD	2188	102	140	09.04-	*
2.2 dCi (G9T 606)	01/06-	Diesel	FWD	2188	102	140	09.04-	*
2.2 dCi (G9T 607)	01/06-	Diesel	FWD	2188	102	140	09.04-	*
2.2 dCi (G9T 700)	01/06-	Diesel	FWD	2188	102	140	09.04-	*
2.2 dCi (G9T 702)	01/06-	Diesel	FWD	2188	102	140	09.04-	*
2.2 dCi (G9T 702)	01/06-	Diesel	FWD	2188	110	150	06.02-	*
2.2 dCi (G9T 703)	01/06-	Diesel	FWD	2188	110	150	06.02-	*
3.0 dCi (P9X 701)	01/06-	Diesel	FWD	2958	130	177	06.02-	*
3.0 dCi (P9X 715)		Diesel	FWD	2958	133	181	06.06-	*
SAAB								
9-3 II (YS3F) 08.03-							Cabrio (Compact executive car-D Segment)	
2.0 1,8t (B207E)	01/04-	Petrol	FWD	1998	110	150	08.03-	*
2.0 1,8t BioPower (B207E)		Petrol	FWD	1998	110	150	01.07-	*
2.0 t (B207G)		Petrol	FWD	1998	120	163	01.11-	*
2.0 t BioPower (B207H)		Petrol	FWD	1998	120	163	01.11-	*
2.0 1,8t BioPower (B207L)		Petrol	FWD	1998	129	175	01.07-	*
2.0 t (B207L)	01/04-	Petrol	FWD	1998	129	175	08.03-	*
2.0 t BioPower (B207L)		Petrol	FWD	1998	129	175	01.07-	*
2.0 (B207L)		Petrol	FWD	1998	143	194	04.06-09.07	*
2.0 t BioPower		Petrol	FWD	1998	145	197	06.07-	*
2.0 t BioPower (B207M)		Petrol	FWD	1998	147	200	06.07-	*
2.0 t (B207R)	01/04-	Petrol	FWD	1998	154	210	08.03-	*
2.0 t (A 20 NFT)		Petrol	FWD	1998	162	220	01.11-	*
2.0 t BioPower (A 20 NFT)		Petrol	FWD	1998	162	220	01.11-	*
2.0 Turbo Performance (B207R)		Petrol	FWD	1998	185	252	04.04-	*
2.8 Turbo V6 (LP9)		Petrol	FWD	2792	184	250	02.06-	*
2.8 Turbo V6 (B284L)		Petrol	FWD	2792	188	256	12.07-	*

LISTA DE APLICACIONES - BUYERS GUIDE

2.8 Turbo V6 (B284R)		Petrol	FWD	2792	203	276	02.09-	*
2.8 Turbo V6 (B284R)		Petrol	FWD	2792	206	280	02.09-	*
1.9 TiD (Z 19 DTH)		Diesel	FWD	1910	110	150	01.06-	*
1.9 TTiD (A 19 DTR)		Diesel	FWD	1910	132	180	12.07-	*
1.9 TTiD (Z 19 DTR)		Diesel	FWD	1910	132	180	12.07-	*
9-3 II 03.05-							Estate (Compact executive car-D Segment)	
1.8 i (Z 18 XE)		Petrol	FWD	1796	90	122	03.05-	*
1.8 T (B207E)		Petrol	FWD	1998	110	150	03.05-	*
1.8 t BioPower (B207E)		Petrol	FWD	1998	110	150	01.07-	*
2.0 t (B207E)		Petrol	FWD	1998	110	150	03.05-	*
2.0 t BioPower (B207H)		Petrol	4WD	1998	120	163	01.11-	*
2.0 t BioPower (B207H)		Petrol	FWD	1998	120	163	01.11-	*
2.0 t (B207L)		Petrol	FWD	1998	129	175	03.05-	*
2.0 t BioPower (B207L)		Petrol	FWD	1998	129	175	01.07-	*
2.0 (B207L)		Petrol	FWD	1998	143	194	04.06-09.07	*
2.0 t BioPower (B207R)		Petrol	FWD	1998	145	197	06.07-	*
2.0 t (B207M)		Petrol	FWD	1998	147	200	02.09-	*
2.0 t (B207R)		Petrol	FWD	1998	154	209	03.05-	*
2.0 t (B207R)		Petrol	4WD	1998	154	209	06.08-	*
2.0 t (A 20 NFT)		Petrol	FWD	1998	162	220	01.11-	*
2.0 t (A 20 NFT)		Petrol	4WD	1998	162	220	01.11-	*
2.0 t BioPower (A 20 NFT)		Petrol	FWD	1998	162	220	01.11-	*
2.8 Turbo V6 (LP9)		Petrol	FWD	2792	184	250	03.05-	*
2.8 Turbo V6 (B284L)		Petrol	FWD	2792	188	256	12.07-	*
2.8 Turbo V6 (B284R)		Petrol	FWD	2792	203	276	05.08-	*
2.8 Turbo V6 (B284R)		Petrol	4WD	2792	206	280	05.08-	*
1.9 TiD (Z 19 DTJ)		Diesel	FWD	1910	88	120	03.05-	*
1.9 TiD (Z 19 DTH)		Diesel	FWD	1910	110	150	03.05-	*
1.9 TTiD (Z 19 DTR)		Diesel	FWD	1910	132	180	12.07-	*
9-3 II (YS3F) 09.02-							Sedán (Compact executive car-D Segment)	
1.8 i (Z 18 XE)		Petrol	FWD	1796	90	122	01.04-	*
2.0 1,8t (B207E)	01/04-	Petrol	FWD	1998	110	150	09.02-	*
2.0 1,8t BioPower (B207E)		Petrol	FWD	1998	110	150	01.07-	*
2.0 t BioPower (B207H)		Petrol	4WD	1998	120	163	01.08-	*
2.0 1,8t BioPower (B207L)		Petrol	FWD	1998	129	175	05.09-	*

LISTA DE APLICACIONES - BUYERS GUIDE

2.0 t (B207L)	01/04-	Petrol	FWD	1998	129	175	09.02-	*
2.0 t BioPower (B207L)		Petrol	FWD	1998	129	175	01.07-	*
2.0 t BioPower (B207R)		Petrol	FWD	1998	145	197	06.07-	*
2.0 t BioPower (B207M)		Petrol	FWD	1998	147	200	05.09-	*
2.0 t (B207R)	01/04-	Petrol	FWD	1998	154	210	09.02-	*
2.0 t BioPower (B207R)	01/04-	Petrol	FWD	1998	154	210	09.02-	*
2.0 Turbo (B207R)		Petrol	4WD	1998	154	210	01.08-	*
2.0 t (A 20 NFT)		Petrol	FWD	1998	162	220	01.11-	*
2.0 t (A 20 NFT)		Petrol	4WD	1998	162	220	01.08-	*
2.0 t BioPower (A 20 NFT)		Petrol	FWD	1998	162	220	01.11-	*
2.0 t BioPower (A 20 NFT)		Petrol	4WD	1998	162	220	01.08-	*
2.0 t (B207R)		Petrol	FWD	1998	177	241	05.09-	*
2.0 Turbo Performance (B207R)		Petrol	FWD	1998	185	252	04.04-	*
2.8 Turbo V6 (LP9)		Petrol	FWD	2792	184	250	03.05-	*
2.8 Turbo V6 (B284L)		Petrol	FWD	2792	188	256	12.07-	*
2.8 Turbo V6 (B284L)		Petrol	FWD	2792	203	276	04.08-	*
2.8 Turbo V6 (B284R)		Petrol	4WD	2792	206	280	05.08-	*
1.9 TiD (Z 19 DT)		Diesel	FWD	1910	88	120	09.04-	*
1.9 TiD (Z 19 DTH)		Diesel	FWD	1910	110	150	09.04-	*
1.9 TTiD (A 19 DTR)		Diesel	FWD	1910	132	180	12.07-	*
1.9 TTiD (Z 19 DTR)		Diesel	FWD	1910	132	180	12.07-	*
2.2 TiD (D223L)	01/04-	Diesel	FWD	2171	92	125	09.02-	*
9-3X 02.09-							Estate (Compact executive car-D Segment)	
2.0 t (B207R)		Petrol	4WD	1998	154	209	02.09-	*
2.0 t BioPower (B207R)		Petrol	4WD	1998	154	209	02.09-	*
2.0 t BioPower (A 20 NFT)		Petrol	4WD	1998	162	220	01.11-	*
1.9 TTiD		Diesel	FWD	1910	96	131	01.10-	*
1.9 TTiD (A 19 DTR)		Diesel	4WD	1910	132	180	02.09-	*
1.9 TTiD (Z 19 DTR)		Diesel	4WD	1910	132	180	02.09-	*
VAUXHALL								
SIGNUM 04.02-10.08							Fastback (Large family car-D Segment)	
1.8 (Z 18 XE)	01/04-	Petrol	FWD	1796	90	122	06.03-07.05	*
1.8 (Z 18 XER)	01/06-	Petrol	FWD	1796	103	140	08.05-05.08	*
2.0 i Turbo (Z 20 NET)	01/04-	Petrol	FWD	1998	129	175	03.03-10.08	*
2.2 i (Z 22 YH)	01/04-	Petrol	FWD	2198	114	155	05.03-05.08	*
2.8 V6 Turbo (Z 28 NEL)		Petrol	FWD	2792	169	230	07.05-05.08	*

LISTA DE APLICACIONES - BUYERS GUIDE

3.2 V6 (Z 32 SE)	01/04-	Petrol	FWD	3175	155	211	05.03-05.08	*	
1.9 CDTi (Z 19 DT)		Diesel	FWD	1910	88	120	04.04-03.08	*	
1.9 CDTI 16V (Z 19 DTH)		Diesel	FWD	1910	110	150	04.04-03.08	*	
2.0 DTI (Y 20 DTH)	01/04-	Diesel	FWD	1994	74	100	05.03-05.08	*	
2.2 DTI (Y 22 DTR)	01/04-	Diesel	FWD	2172	92	125	05.03-05.08	*	
3.0 CDTI (Y 30 DT)	01/04-	Diesel	FWD	2958	130	177	05.03-05.08	*	
3.0 V6 CDTI (Z 30 DT)		Diesel	FWD	2959	135	184	07.05-06.08	*	
VECTRA MK II (C) 10.03-07.08							Estate (Large family car-D Segment)		
1.6 16V (Z 16 XE)		Petrol	FWD	1598	74	100	06.04-07.08	*	
1.8 16V (Z 18 XE)	01/04-	Petrol	FWD	1796	90	122	10.03-08.05	*	
1.8 (Z 18 XER)		Petrol	FWD	1796	103	140	01.06-07.08	*	
2.0 16V Turbo (Z 20 NET)	01/04-	Petrol	FWD	1998	129	175	10.03-07.08	*	
2.2 direct (Z 22 YH)	01/04-	Petrol	FWD	2198	114	155	10.03-07.08	*	
2.8 V6 Turbo (Z 28 NEL)		Petrol	FWD	2792	169	230	08.05-07.08	*	
2.8 V6 Turbo (Z 28 NET)		Petrol	FWD	2792	188	255	08.06-07.08	*	
3.2 V6 (Z 32 SE)	01/04-	Petrol	FWD	3175	155	211	10.03-08.05	*	
1.9 CDTi (Z 19 DTL)		Diesel	FWD	1910	74	100	10.05-07.08	*	
1.9 CDTi (Z 19 DT)		Diesel	FWD	1910	88	120	04.04-07.08	*	
1.9 CDTI 16V (Z 19 DTH)		Diesel	FWD	1910	110	150	04.04-07.08	*	
2.0 DTI 16V (Y 20 DTH)	01/04-	Diesel	FWD	1995	74	101	10.03-07.08	*	
2.2 DTI 16V (Y 22 DTR)	01/04-	Diesel	FWD	2172	92	125	10.03-07.08	*	
3.0 V6 CDTI (Y 30 DT)	01/04-	Diesel	FWD	2958	130	177	10.03-08.05	*	
3.0 CDTI (Z 30 DT)		Diesel	FWD	2958	135	184	08.05-07.08	*	
VECTRA MK II (C) 01.00-10.08							Sedán (Large family car-D Segment)		
1.6 16V (Z 16 XE)		Petrol	FWD	1598	74	100	06.04-07.08	*	
1.6 (Z 16 XEP)		Petrol	FWD	1598	77	105	01.06-07.08	*	
1.8 (Z 18 XEL)	01/04-	Petrol	FWD	1796	81	110	04.02-07.08	*	
1.8 16V (Z 18 XE)	01/04-	Petrol	FWD	1796	90	122	04.02-07.08	*	
1.8 16V Dualfuel (Z 18 XE)	01/04-	Petrol	FWD	1796	90	122	04.02-07.08	*	
1.8 (Z 18 XER)		Petrol	FWD	1796	103	140	01.06-07.08	*	
2.0 16V Turbo (Z 20 NET)	01/04-	Petrol	FWD	1998	129	175	01.00-10.08	*	
2.2 16V (Z 22 SE)	01/04-	Petrol	FWD	2198	108	147	01.02-10.08	*	
2.2 direct (Z 22 YH)	01/04-	Petrol	FWD	2198	114	155	01.02-10.08	*	
2.8 V6 Turbo (Z 28 NEL)		Petrol	FWD	2792	169	230	08.05-07.08	*	
2.8 V6 Turbo (Z 28 NET)		Petrol	FWD	2792	184	250	08.06-07.08	*	
2.8 V6 Turbo (Z 28 NET)		Petrol	FWD	2792	188	255	08.05-07.08	*	

LISTA DE APLICACIONES - BUYERS GUIDE

3.2 V6 (Z 32 SE)	01/04-	Petrol	FWD	3175	155	211	06.03-07.08	*	
1.9 CDTi (Z 19 DTL)		Diesel	FWD	1910	74	100	10.05-07.08	*	
1.9 CDTi (Z 19 DT)	01/04-	Diesel	FWD	1910	88	120	04.02-09.08	*	
1.9 CDTi 16V (Z 19 DTH)		Diesel	FWD	1910	110	150	04.04-08.08	*	
2.0 DTi 16V (Y 20 DTH)	01/04-	Diesel	FWD	1995	74	101	04.02-10.08	*	
2.2 DTi 16V (Y 22 DTR)	01/04-	Diesel	FWD	2172	92	125	04.02-10.08	*	
3.0 V6 CDTi (Y 30 DT)	01/04-	Diesel	FWD	2958	130	177	06.03-08.05	*	
3.0 CDTi (Z 30 DT)		Diesel	FWD	2958	135	184	08.05-07.08	*	
VECTRA MK II GTS (C) 08.02-07.08							Fastback (Large family car-D Segment)		
1.6 16V (Z 16 XE)		Petrol	FWD	1598	74	100	06.04-07.08	*	
1.6 (Z 16 XEP)		Petrol	FWD	1598	77	105	01.06-07.08	*	
1.8 16V (Z 18 XE)	01/04-	Petrol	FWD	1796	90	122	08.02-07.08	*	
1.8 16V Dualfuel (Z 18 XE)	01/04-	Petrol	FWD	1796	90	122	08.02-07.08	*	
1.8 (Z 18 XER)		Petrol	FWD	1796	103	140	01.06-07.08	*	
2.0 16V Turbo (Z 20 NET)	01/04-	Petrol	FWD	1998	129	175	03.03-07.08	*	
2.2 16V (Z 22 SE)	01/04-	Petrol	FWD	2198	108	147	08.02-07.08	*	
2.2 direct (Z 22 YH)	01/04-	Petrol	FWD	2198	114	155	10.03-08.05	*	
2.8 V6 Turbo (Z 28 NEL)		Petrol	FWD	2792	169	230	08.05-07.08	*	
2.8 V6 Turbo (Z 28 NET)		Petrol	FWD	2792	184	250	08.06-07.08	*	
2.8 V6 Turbo (Z 28 NET)		Petrol	FWD	2792	188	255	08.05-07.08	*	
3.2 V6 (Z 32 SE)	01/04-	Petrol	FWD	3175	155	211	08.02-07.08	*	
1.9 CDTi (Z 19 DTL)		Diesel	FWD	1910	74	100	10.05-07.08	*	
1.9 CDTi (Z 19 DT)	01/04-	Diesel	FWD	1910	88	120	08.02-07.08	*	
1.9 CDTi 16V (Z 19 DTH)		Diesel	FWD	1910	110	150	04.04-07.08	*	
2.0 DTi 16V (Y 20 DTH)	01/04-	Diesel	FWD	1995	74	101	08.02-07.08	*	
2.2 DTi 16V (Y 22 DTR)	01/04-	Diesel	FWD	2172	92	125	08.02-07.08	*	
3.0 V6 CDTi (Y 30 DT)	01/04-	Diesel	FWD	2958	130	177	06.03-08.05	*	
3.0 CDTi (Z 30 DT)		Diesel	FWD	2958	135	184	08.05-07.08	*	