

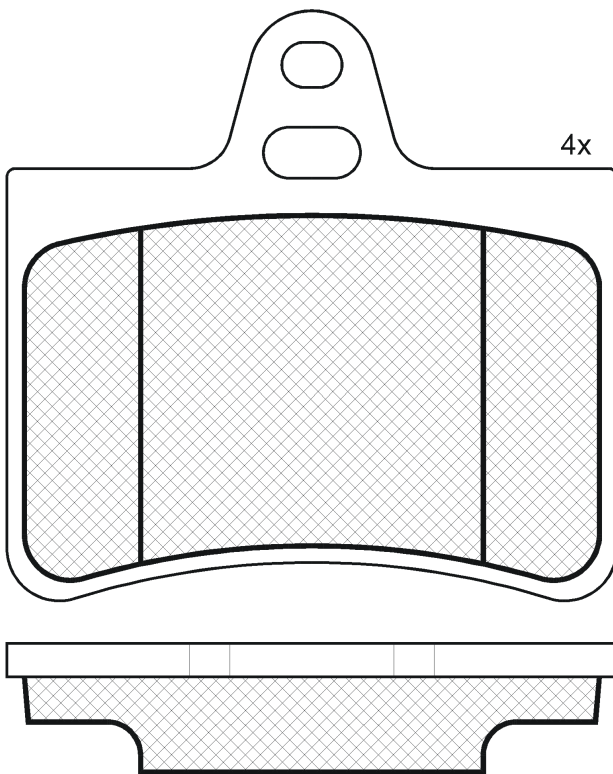
LISTA DE APLICACIONES - BUYERS GUIDE

181407



Qty: 944 Peso: 716

| O.E.M. | MAKE |
|---------|---------|
| 4252.17 | CITROËN |
| 4252.90 | CITROËN |
| 4253.34 | CITROËN |



181407



Citroën

73x70.8x15.4

| |
|-------------|
| WVA |
| 23305 |
| MAKE |
| CITROËN |



| Trac. | CC | Kw | CV |
|-------|----|----|----|
|-------|----|----|----|



Front / Rear

CITROËN

C5 (DE_) 06.01-08.04

Estate (Large family car-D Segment)

| Model | Year | Trac. | CC | Kw | CV | Period | Star |
|-----------------------------|--------|--------|-----|------|-----|-----------------|------|
| 1.8 16V (6FZ (EW7J4)) | | Petrol | FWD | 1749 | 85 | 115 06.01-08.04 | * |
| 1.8 16V (6FZ (EW7J4)) | -12/08 | Petrol | FWD | 1749 | 85 | 116 09.04- | * |
| 1.8 16V (6FY (EW7A)) | -12/08 | Petrol | FWD | 1749 | 92 | 125 09.05- | * |
| 2.0 16V (RFN (EW10J4)) | | Petrol | FWD | 1997 | 100 | 136 06.01-08.04 | * |
| 2.0 16V (RFJ (EW10A)) | -12/08 | Petrol | FWD | 1997 | 103 | 140 09.04- | * |
| 2.0 16V HPi (RLZ (EW10D)) | | Petrol | FWD | 1997 | 103 | 140 06.01-08.04 | * |
| 3.0 V6 (XFX (ES9J4S)) | | Petrol | FWD | 2946 | 152 | 207 06.01-08.04 | * |
| 3.0 V6 (XFX (ES9A)) | -12/08 | Petrol | FWD | 2946 | 152 | 207 09.04- | * |
| 3.0 (XFX (ES9J4S)) | -12/08 | Petrol | FWD | 2946 | 173 | 235 09.04- | * |
| 3.0 Carlsson (XFX (ES9J4S)) | | Petrol | FWD | 2946 | 173 | 235 09.03-08.04 | * |
| 1.6 HDi (9HY (DV6TED4)) | -12/08 | Diesel | FWD | 1560 | 80 | 109 09.04- | * |
| 1.6 HDi (9HZ (DV6TED4)) | -12/08 | Diesel | FWD | 1560 | 80 | 109 09.04- | * |
| 2.0 Hdi (RHY (DW10TD)) | | Diesel | FWD | 1997 | 66 | 90 06.01-08.04 | * |
| 2.0 Hdi (RHS (DW10ATED)) | | Diesel | FWD | 1997 | 79 | 107 06.01-08.04 | * |
| 2.0 Hdi (RHZ (DW10ATED)) | | Diesel | FWD | 1997 | 79 | 107 06.01-08.04 | * |
| 2.0 Hdi (RHZ (DW10ATED)) | | Diesel | FWD | 1997 | 80 | 109 06.01-08.04 | * |

LISTA DE APLICACIONES - BUYERS GUIDE

| | | | | | | | | | |
|------------------------------|--------|--------|-----|------|--|-----|-------------|---|--|
| 2.0 Hdi (RHR (DW10BTED4)) | -12/08 | Diesel | FWD | 1997 | 100 | 136 | 09.04- | * | |
| 2.2 HDi (4HX (DW12TED4/FAP)) | | Diesel | FWD | 2179 | 98 | 133 | 06.01-08.04 | * | |
| 2.2 HDi (4HX (DW12TED4/FAP)) | -12/08 | Diesel | FWD | 2179 | 98 | 133 | 09.04- | * | |
| 2.2 HDi (4HT (DW12BTED4)) | -12/08 | Diesel | FWD | 2179 | 125 | 170 | 04.06- | * | |
| C5 (DC_) 03.01-08.04 | | | | | Fastback (Large family car-D Segment) | | | | |
| 1.8 16V (6FZ (EW7J4)) | | Petrol | FWD | 1749 | 85 | 115 | 03.01-08.04 | * | |
| 1.8 16V (6FZ (EW7J4)) | -12/08 | Petrol | FWD | 1749 | 85 | 116 | 09.04- | * | |
| 1.8 16V (6FY (EW7A)) | -12/08 | Petrol | FWD | 1749 | 92 | 125 | 09.05- | * | |
| 2.0 16V (RFN (EW10J4)) | | Petrol | FWD | 1997 | 100 | 136 | 03.01-08.04 | * | |
| 2.0 16V (RFJ (EW10A)) | -12/08 | Petrol | FWD | 1997 | 103 | 140 | 09.04- | * | |
| 2.0 16V HPI (RLZ (EW10D)) | | Petrol | FWD | 1997 | 103 | 140 | 03.01-08.04 | * | |
| 3.0 V6 (XFX (ES9J4S)) | | Petrol | FWD | 2946 | 152 | 207 | 03.01-08.04 | * | |
| 3.0 V6 (XFV (ES9A)) | -12/08 | Petrol | FWD | 2946 | 152 | 207 | 09.04- | * | |
| 3.0 V6 (XFX (ES9J4S)) | -12/08 | Petrol | FWD | 2946 | 152 | 207 | 09.04- | * | |
| 3.0 Carlsson HP | | Petrol | FWD | 2946 | 173 | 235 | 08.01-08.04 | * | |
| 3.0 Carlsson HP | -12/08 | Petrol | FWD | 2946 | 173 | 235 | 09.04- | * | |
| 1.6 HDi (9HY (DV6TED4)) | -12/08 | Diesel | FWD | 1560 | 80 | 109 | 09.04- | * | |
| 1.6 HDi (9HZ (DV6TED4)) | -12/08 | Diesel | FWD | 1560 | 80 | 109 | 09.04- | * | |
| 2.0 Hdi (RHY (DW10TD)) | | Diesel | FWD | 1997 | 66 | 90 | 03.01-08.04 | * | |
| 2.0 Hdi (RHS (DW10ATED)) | | Diesel | FWD | 1997 | 79 | 107 | 03.01-08.04 | * | |
| 2.0 Hdi (RHZ (DW10ATED)) | | Diesel | FWD | 1997 | 79 | 107 | 03.01-08.04 | * | |
| 2.0 Hdi (RHZ (DW10ATED)) | | Diesel | FWD | 1997 | 80 | 109 | 03.01-08.04 | * | |
| 2.0 Hdi (RHR (DW10BTED4)) | -12/08 | Diesel | FWD | 1997 | 100 | 136 | 09.04- | * | |
| 2.2 HDi (4HX (DW12TED4/FAP)) | | Diesel | FWD | 2179 | 98 | 133 | 03.01-08.04 | * | |
| 2.2 HDi (4HX (DW12TED4/FAP)) | -12/08 | Diesel | FWD | 2179 | 98 | 133 | 09.04- | * | |
| 2.2 HDi (4HT (DW12BTED4)) | -12/08 | Diesel | FWD | 2179 | 125 | 170 | 04.06- | * | |